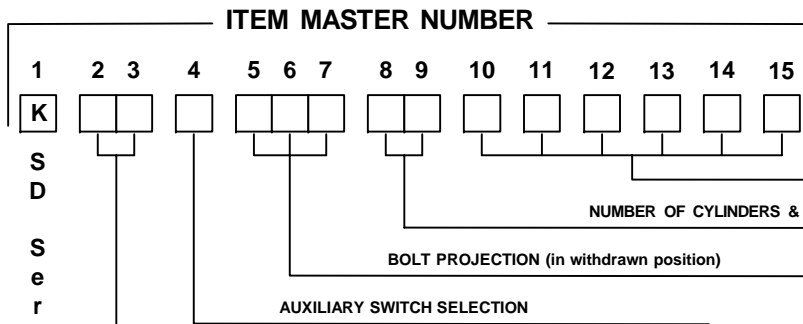


SD Series - Interlock Item Ordering Guide

Kirk Key Interlock Company

*** REQUIRED INFORMATION ***

- Type of Interlock (Columns 2 & 3)
- Auxiliary Switch Requirements (Column 4)
- Bolt Projection (measured in withdrawn position) special lengths may be added (Columns 5, 6 & 7)
- Number of Cylinders and Key Removable Position (Columns 8 & 9)
- Options desired (where applicable)
- Ultimate End User, name and location
- Key Interchange
- Coordination Requirements
- Quantity



OPTIONS: Where applicable. If none required, leave blank

TYPE

F	L	FLAT MOUNTED (F) - SD Data Sheet 1.1
F	N	END MOUNTED (FN) NARROW - SD Data Sheet 1.7
N	T	TOP MOUNTED (NT) NARROW - SD Data Sheet 1.8
B	L	BASE MOUNTED (B) - SD Data Sheet 1.2
D	L	DOOR MOUNTED (D) - SD Data Sheet 1.4
T	R	TRANSFER (T) - SD Data Sheet 1.3
P	L	PADLOCK - SD Data Sheet 1.11
C	4	CN22 CYLINDER 301786104 - SD Data Sheet 1.10
Y	1	SUB PANEL MOUNTED (DY1) - SD Data Sheet 1.12
Y	2	END MOUNTED (DY2) - SD Data Sheet 1.13
Y	3	FLUSH MOUNTED (DY3) - SD Data Sheet 1.14
Y	4	END MOUNTED (w/ weld plate) (DY4)
D	M	ACCESS DOOR (DM) - SD Data Sheet 1.5
U	L	End Mounted (U) - SD Data Sheet 1.9

COLUMN 4

NONE	0
K DP/DT	1
S	3
SS	4
SSS	5
SSSS	6
2 N/O 1 N/C*	A
4 N/O 2 N/C*	B

* Denotes status of the contacts with locking bolt in withdrawn position.
See SD Data Sheets 2.3 (A&B), 2.4 (S Switches), 2.5 (DP/DT)

COLUMNS 5,6,7

-	-	-	
0	0	0	0", 0mm
0	2	5	1/4", 6.4mm
0	3	7	3/8", 9.5mm
0	5	0	1/2", 12.7mm
0	6	2	5/8", 15.8mm
0	7	5	3/4", 19.1mm
1	0	0	1", 25.4mm
1	2	5	1-1/4", 31.7mm
1	3	7	1-3/8", 34.9mm
1	5	0	1-1/2", 38.1mm
2	0	0	2", 50.8mm
3	0	0	3", 76.2mm

Be sure to put dashes in columns 5,6 & 7 when ordering Door Locks, Transfer Locks, Padlocks, CN22's and DY Locks.

COLUMNS 5,6,7 TPS ONLY

5	0	1	2 NO & 2 NC Contacts, without spacers
5	0	2	4 NO & 4 NC Contacts, without spacers
5	0	3	2 NO & 2 NC Contacts, with spacers for flush mount
5	0	4	4 NO & 4 NC Contacts, with spacers for flush mount

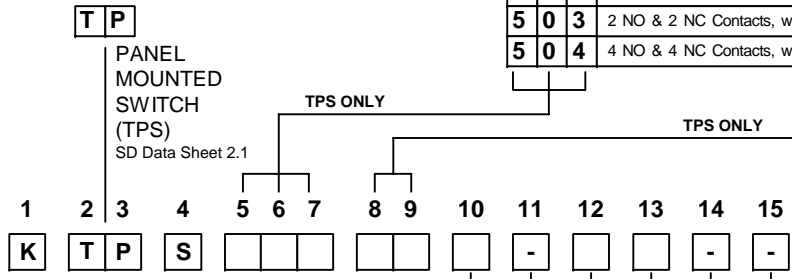
COLUMN 8 **COLUMN 9**

1 CYL	1	0	E
	1	1	W
2 CYL	2	0	EE
	2	1	EW
3 CYL	3	0	EEE
	3	1	EEW
4 CYL	4	0	EEEE
	4	1	EEEW
5 CYL	5	0	EEEEE
	5	1	EEEEW
6 CYL	6	0	EEEEEE
	6	1	EEEEEW
7 CYL	7	0	EEEEEE
	7	1	EEEEEW
8 CYL	8	0	EEEEEE
	8	1	EEEEEW
9 CYL	9	0	EEEEEE
	9	1	EEEEEW
10 CYL	A	0	EEEEEE
	A	1	EEEEEW
11 CYL	B	0	EEEEEE
	B	1	EEEEEW
12 CYL	C	0	EEEEEE
	C	1	EEEEEW

- OPTIONS DESCRIPTION**
- COLUMN 10 **S** STAMP KEY INTERCHANGE
See SD Data Sheet 3.4 and 4.1
- COLUMN 11 **H** OPPOSITE HAND
See SD Data Sheet 4.1
- COLUMN 12 **C** PUSH ON DUST COVER
F FLIP OPEN COVER
See SD Data Sheet 3.1
- COLUMN 13 **M** HEX MOUNTING BOLTS
T TAMPERPROOF BOLTS
Tamperproof Tools available.
(See SD Data Sheet 3.2)
- COLUMN 14 **P** ADAPTER PLATES
(Short D, Long D, FN - See SD Data Sheet 3.3)
- COLUMN 15 **A** DY LATCH BLOCK LONGITUDINAL
For latch block w/ U-Bolt & chain, please specify in description.
B DY LATCH BLOCK TRANSVERSE
R An "R" in column 15 denotes reversing the switch housing in relationship to the interlock - if a switch is selected in column 4.
(See SD Data Sheets 2.4 and 2.5)



Kirk Key Interlock Company
211 Wetmore Ave S.E., Massillon, Ohio 44646
Ph: 330.833.8223 Fax: 330.833.1528
Toll Free: 800.438.2442



Columns 8 & 9, TPS Only

1 CYL	1	0	E
2 CYL	2	0	EE
2 CYL	2	1	WE

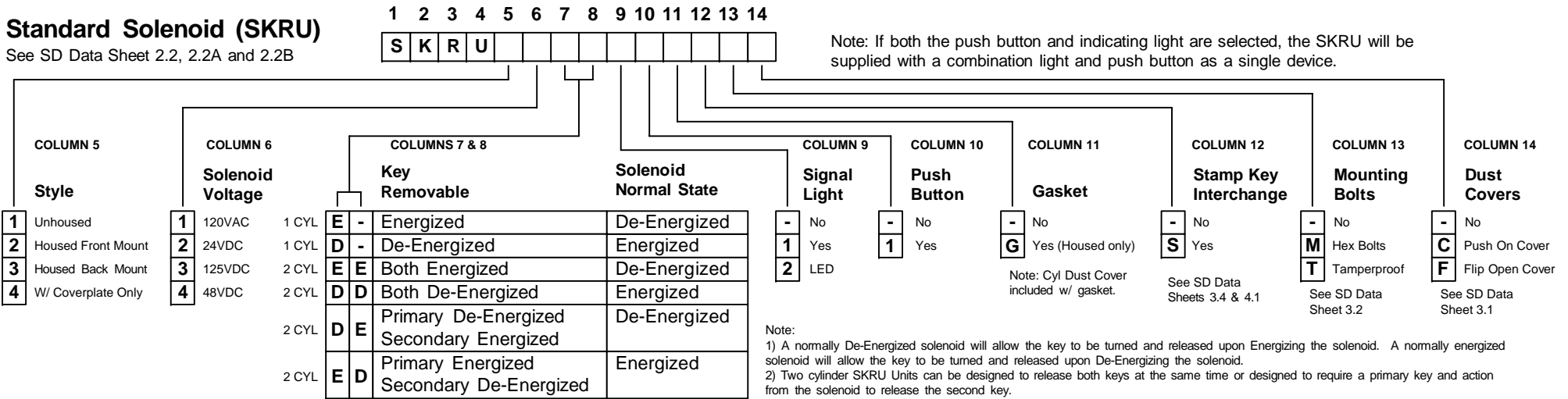
OPTIONS: Where applicable (only 10, 12, 13 apply). If none required, leave blank.

SD Series - Interlock Item Ordering Guide

Kirk Key Interlock Company

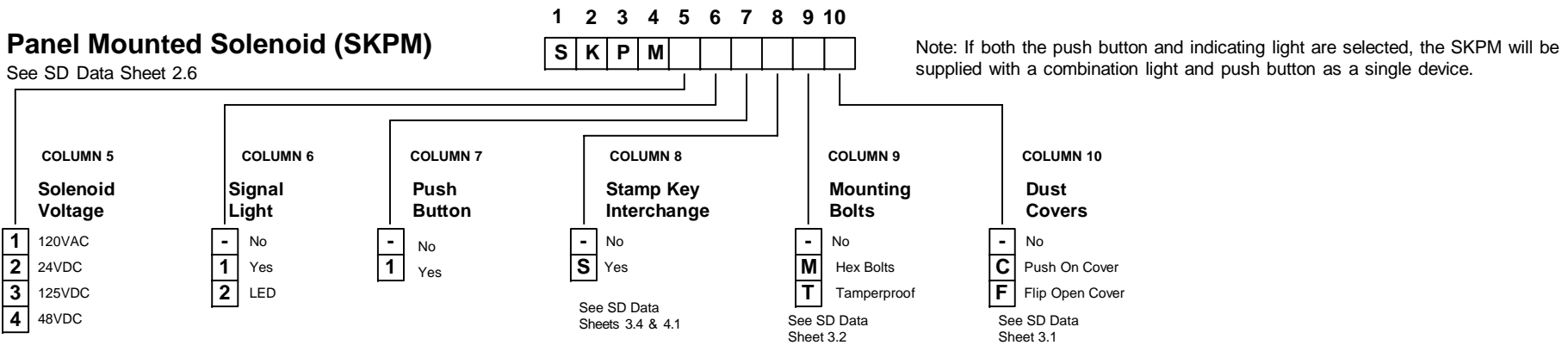
Standard Solenoid (SKRU)

See SD Data Sheet 2.2, 2.2A and 2.2B



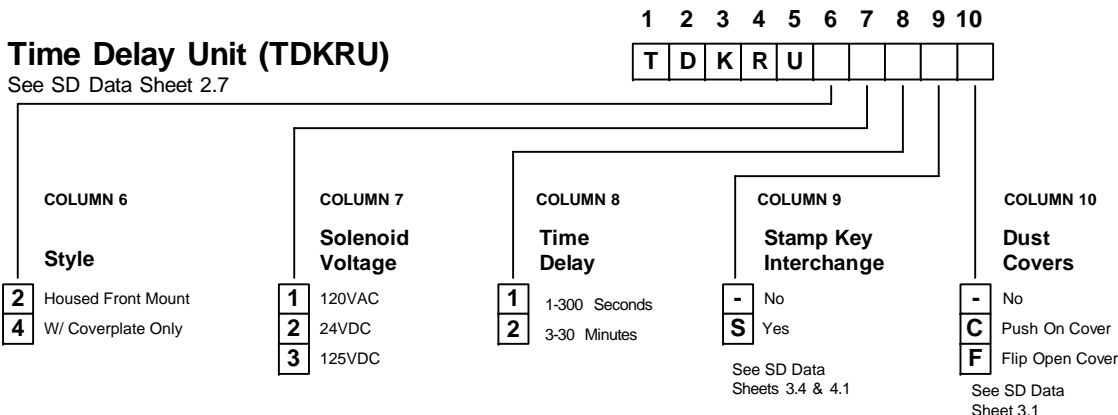
Panel Mounted Solenoid (SKPM)

See SD Data Sheet 2.6



Time Delay Unit (TDKRU)

See SD Data Sheet 2.7



Kirk Key Interlock Company

211 Wetmore Ave S.E., Massillon, Ohio 44646

Ph: 330.833.8223 Fax: 330.833.1528

Toll Free: 800.438.2442