

SD SERIES - SPECIFICATION DATA SHEET 1.2



www.kirkkey.com

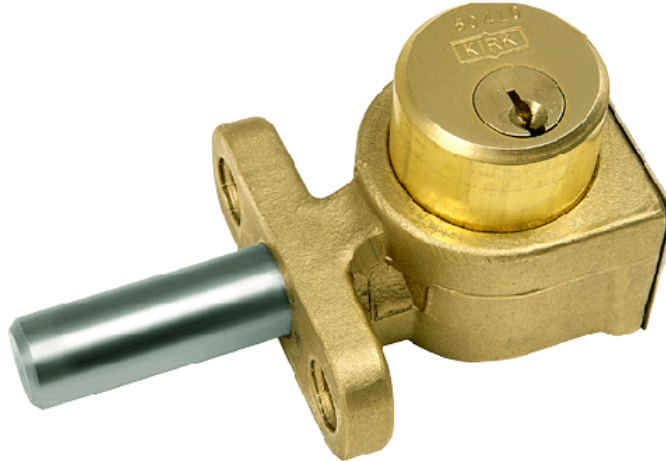
Kirk Key Interlock Company

211 Wetmore Ave. S.E., Massillon, OH 44646

Phone: 330.833.8223 • Fax: 330.833.1528 • Toll Free: 800.438.2442

Email: sales@kirkkey.com

Type B - Base Mounted



The Type B interlock is commonly base or flange mounted. The interlock housing is made from cast bronze. The locking bolt is made of 5/8" diameter stainless steel. The throw, or travel, of the locking bolt is 3/4".

OPTIONS

- Locking Bolt Length - when ordering, specify the length of the locking bolt in the withdrawn position. Standard lengths are 1/4", 3/8", 1/2", 3/4", 1", 2", and 3". Non-standard lengths are also available. (1" Lock Bolt shown on drawing)
- Key Removable - the key(s) is removable when the locking bolt is either in the extended (E) or withdrawn (W) position. Please choose E or W when ordering an interlock. Key removable extended is the most common because the locking bolt is typically extended to block/engage something.
- Multi-Cylinder - up to 7 cylinders available. Designate "E" or "W" key removable position for each cylinder.
- Stamp Key Interchange - specify an alphanumeric code to be stamped on the cylinder face and the key (e.g. A1, A2, B1, etc. - up to 5 characters). See SD Series Data Sheet for Keys (3.4) and Terminology (4.1) for details.
- Auxiliary Switches - see SD Series Data Sheets for Type Thermoplastic (2.3), Type S (2.4) and Type K (2.5) for details.
- Dust Covers - see SD Series Data Sheet for Dust Covers (3.1) for details.
- Mounting Bolts - see SD Series Data Sheet for Mounting Bolts (3.2) for details.
- "Opposite Hand" - see SD Series Data Sheet for Terminology (4.1) for details.

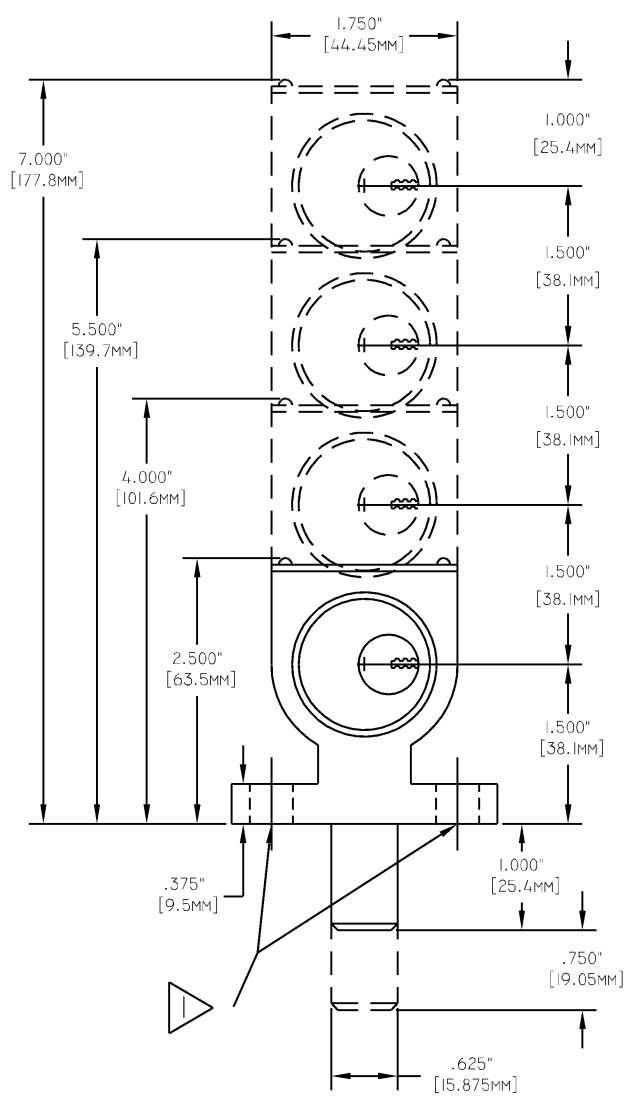
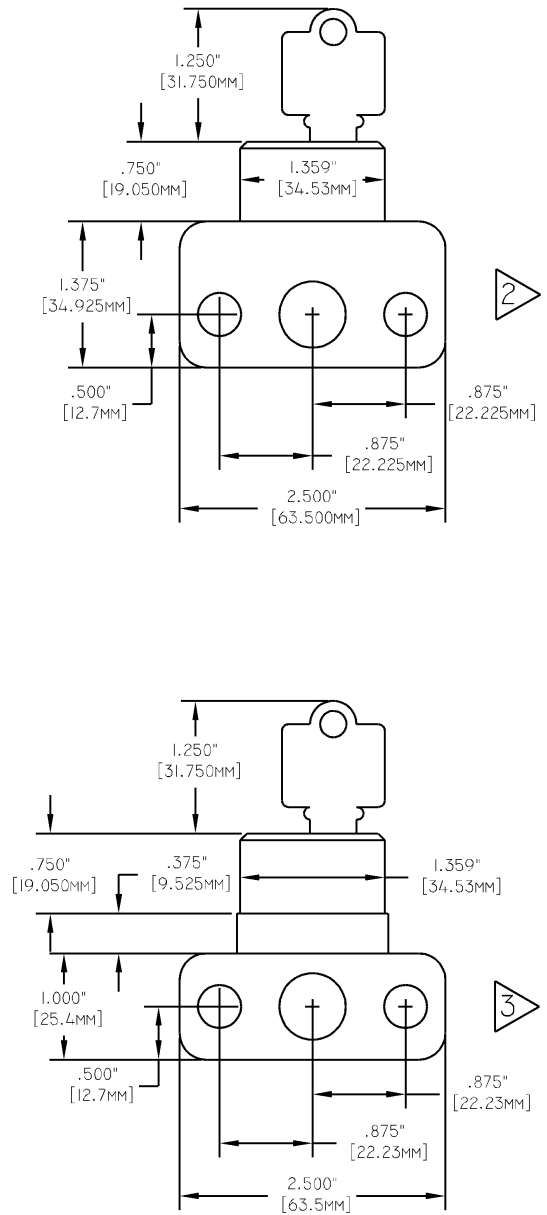
SD SERIES - SPECIFICATION DATA SHEET 1.2



www.kirkkey.com

Kirk Key Interlock Company
 211 Wetmore Ave. S.E., Massillon, OH 44646
 Phone: 330.833.8223 • Fax: 330.833.1528 • Toll Free: 800.438.2442
 Email: sales@kirkkey.com

Type B - Base Mounted



- NOTES:
 1) 0.4062" (10.32mm) holes for mounting bolts.
 2) Footprint of multiple cylinder Type B.
 3) Footprint of single cylinder Type B.