

SD SERIES - SPECIFICATION DATA SHEET 1.4



www.kirkkey.com

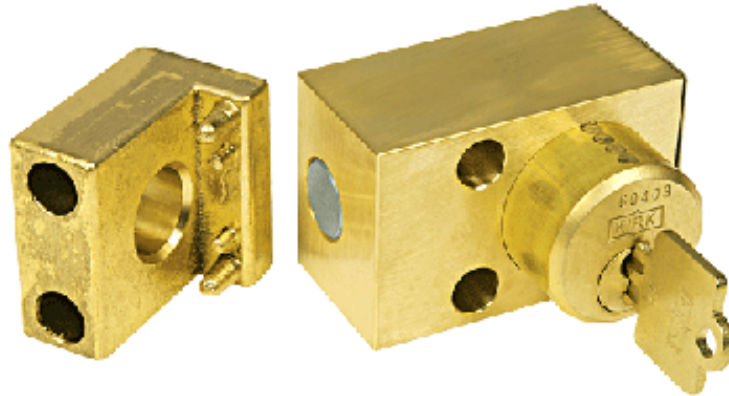
Kirk Key Interlock Company

211 Wetmore Ave. S.E., Massillon, OH 44646

Phone: 330.833.8223 • Fax: 330.833.1528 • Toll Free: 800.438.2442

Email: sales@kirkkey.com

Type D - Door Mounted (Detachable)



A Type D interlock has two parts: a main body with one or more cylinders and a latch block. The main body is typically attached to a door or hatch that swings open. The latch block is typically bolted to the door frame.

When the key is turned and the door is opened, the main body and latch block are separated causing the key to be trapped and the locking bolt to be held in the withdrawn position. The key is always held in the Type D interlock whenever the two parts are separated. When the door is properly closed, the lock body seats fully against the latch block, releasing the locking bolt. The operating key can now be rotated to extend the locking bolt into the latch block. After the locking bolt is fully extended, the operating key may be removed.

The interlock housing is made from brass. The lock bolt is made from 5/8" diameter stainless steel.

OPTIONS

- Key Removable - a single cylinder Type D interlock is always built key removable "E", which means the key is released only when the lock bolt is extended into the latch block (door closed).
- Multi-Cylinder - up to five cylinders available. The first cylinder should always be "E" (see Key Removable option above). A multi-cylinder Type D requiring all keys to unlock the door should have each cylinder designated "E". Any cylinders that are designated "W" will release a key when the door is unlocked - such as a personnel key. ("W" keys are trapped when the door is locked - "E" keys are trapped when the door is unlocked.)
- Stamp Key Interchange - specify an alphanumeric code to be stamped on the cylinder face and the key (e.g. A1, A2, B1, etc. - up to 5 characters). See SD Series Data Sheet for Keys (3.4) and Terminology (4.1) for details.
- Auxiliary Switches - see SD Series Data Sheets for Type Thermoplastic (2.3) and Type S (2.4) and Type K (2.5) for details.

SD SERIES - SPECIFICATION DATA SHEET 1.4



www.kirkkey.com

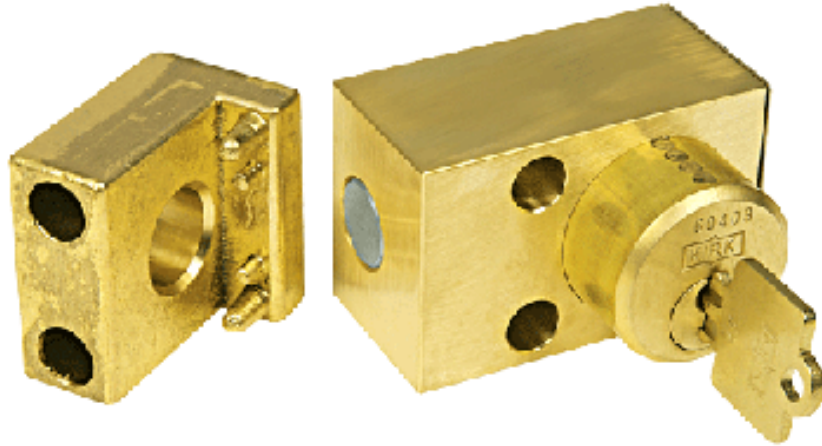
Kirk Key Interlock Company

211 Wetmore Ave. S.E., Massillon, OH 44646

Phone: 330.833.8223 • Fax: 330.833.1528 • Toll Free: 800.438.2442

Email: sales@kirkkey.com

Type D - Door Mounted (Detachable)



OPTIONS (Continued)

- Dust Covers - see SD Series Data Sheet for Dust Covers (3.1) for details.
- Mounting Bolts - see SD Series Data Sheet for Mounting Bolts (3.2) for details.
- Adapter Plates - an adapter plate can be fastened to the housing to allow front mounting (see diagram below). See SD Series Data Sheet for Adapter Plates (3.3) for details.
- "Opposite Hand" - the photo shows a typical right-handed Type D interlock, meaning it is designed to work on a door hinged to the right when looking at the front of the lock. Left-handed Type D interlocks can be ordered by specifying "opposite hand". See SD Series Data Sheet on Terminology (4.1) for details.

You do not need to specify a locking bolt length when ordering Type D.

Caution: The Type D interlock should not be used to align the door, or to be the latching means for holding the door in the closed position.

SD SERIES - SPECIFICATION DATA SHEET 1.4

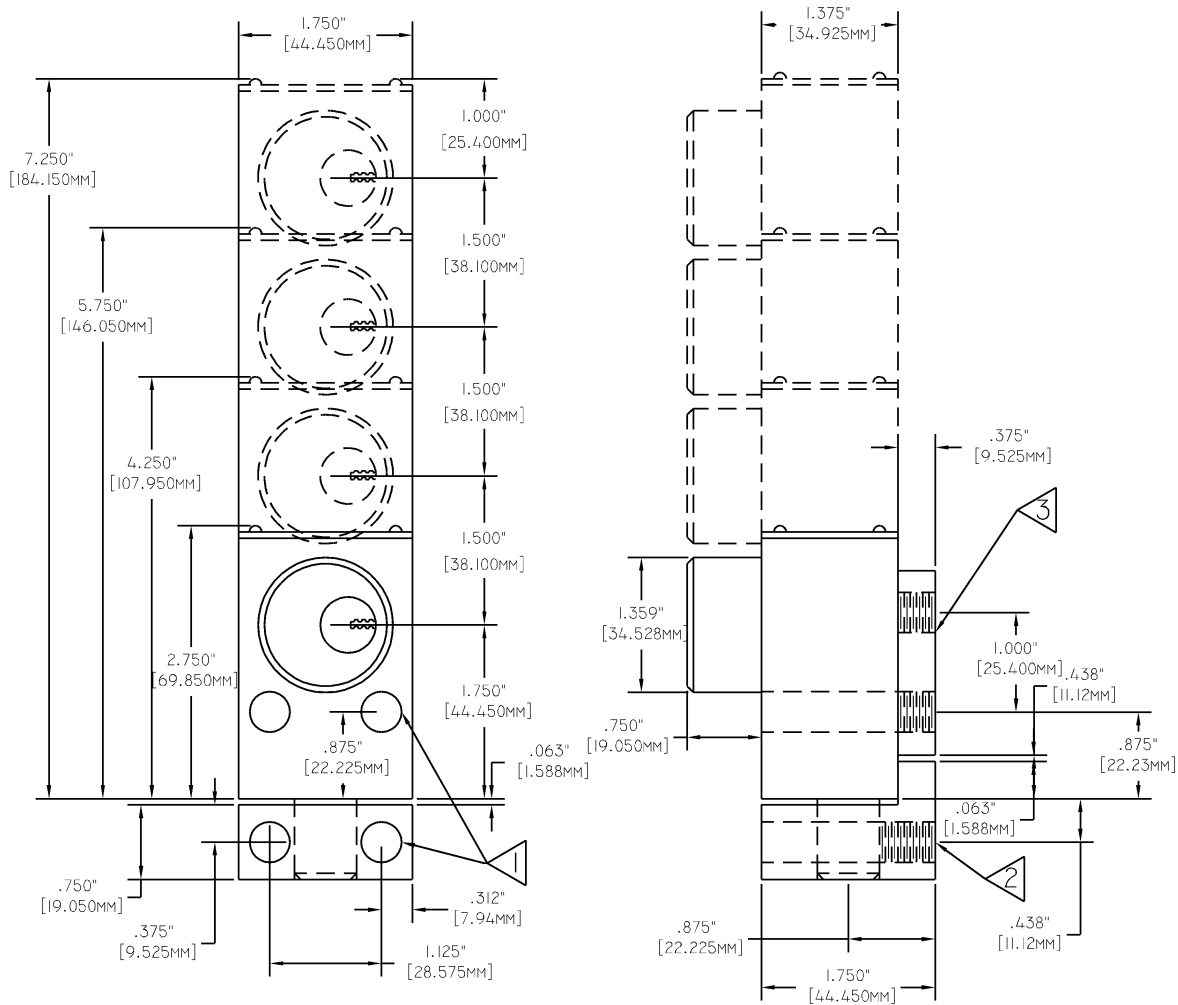


www.kirkkey.com

Kirk Key Interlock Company

211 Wetmore Ave. S.E., Massillon, OH 44646
 Phone: 330.833.8223 • Fax: 330.833.1528 • Toll Free: 800.438.2442
 Email: sales@kirkkey.com

Type D - Door Mounted (Detachable)



NOTES:

- 1) 0.4062" (10.32mm) holes for mounting bolts (4 holes).
- 2) 1/2"-13 thread tapped 1/2" from bottom (latch block only).
- 3) Optional adapter plate shown - see SD Series Data Sheet for Adapter Plates (3.3) for details.

Caution: The Type D interlock should not be used to align the door, or to be the latching means for holding the door in the closed position.

SD SERIES - SPECIFICATION DATA SHEET 1.4



www.kirkkey.com

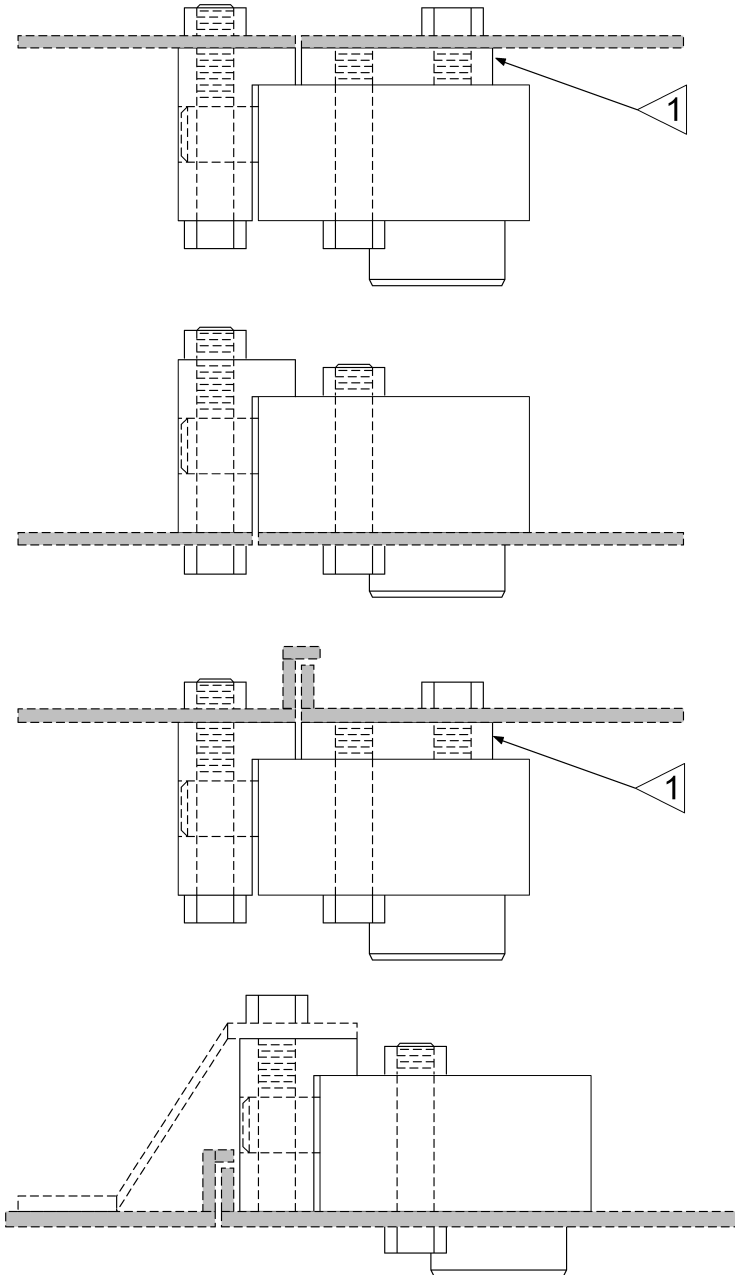
Kirk Key Interlock Company

211 Wetmore Ave. S.E., Massillon, OH 44646

Phone: 330.833.8223 • Fax: 330.833.1528 • Toll Free: 800.438.2442

Email: sales@kirkkey.com

Type D - Door Mounted (Detachable)



NOTES:

1) Shown with optional adapter plate. The Type D interlock can be mounted on either flat or reinforced doors (front and back mounted). See SD Series Data Sheet for Adapter Plates (3.3) for more details.