



www.kirkkey.com

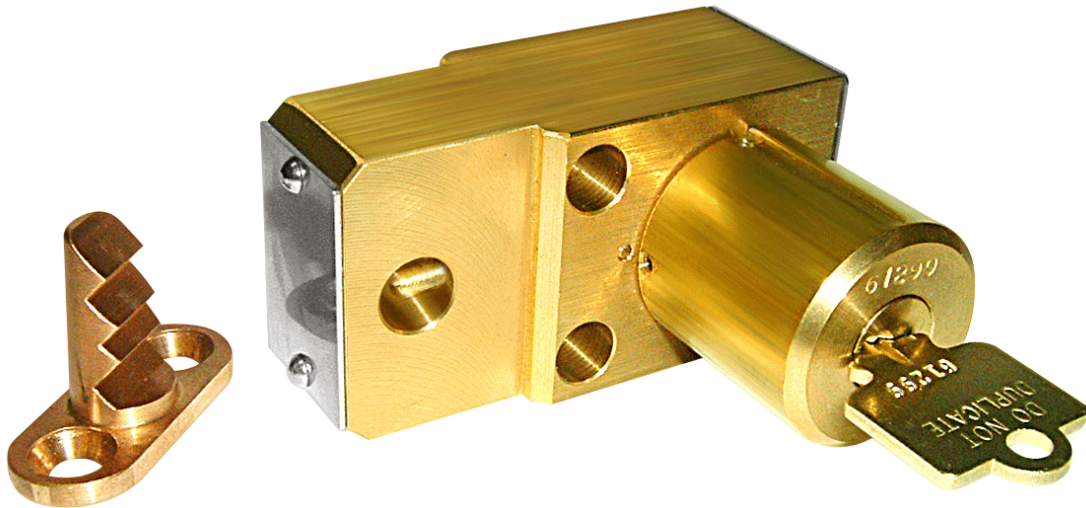
Kirk Key Interlock Company

211 Wetmore Ave. S.E., Massillon, OH 44646

Phone: 330.833.8223 • Fax: 330.833.1528 • Toll Free: 800.438.2442

Email: sales@kirkkey.com

Type DC - Panel Door Interlock



A Type DC interlock has two parts: a lock body and a catch. The catch is available in two styles, one suited to well aligned doors, the other suited to mis-aligned doors. The lock body is typically attached to a door or gate that swings open. The catch is typically attached to the door frame. The DC interlock is designed for use on light duty panel doors in dry, non-corrosive environments where the interlock is subject to light to medium use.

When the key is turned and the door is opened, the lock body and catch are separated causing the key to become trapped in the lock. The key is held in the interlock as long as the door is open. When the door is properly closed, the catch seats fully into the lock body allowing the key to be turned and released, thereby locking the door closed.

The standard Type DC interlock is designed to accept the catch from the rear (or back) of the lock body.

All parts of the Type DC interlock are made of brass.

OPTIONS:

Catch Type - Optional spring mounted catch (Flex Catch) is available for badly mis-aligned doors.

Front Catch Option - The Type DC interlock is available with a front entry catch for applications where the door or gate opens by swinging inwards.

Stamp Key Interchange - specify an alphanumeric code to be stamped on the cylinder face and the key (e.g. A1, A2, B1, etc. - up to 5 characters). See SD Data Sheet for Keys (3.4) and Terminology (4.1) for details.

SD SERIES - SPECIFICATION DATA SHEET 1.18



www.kirkkey.com

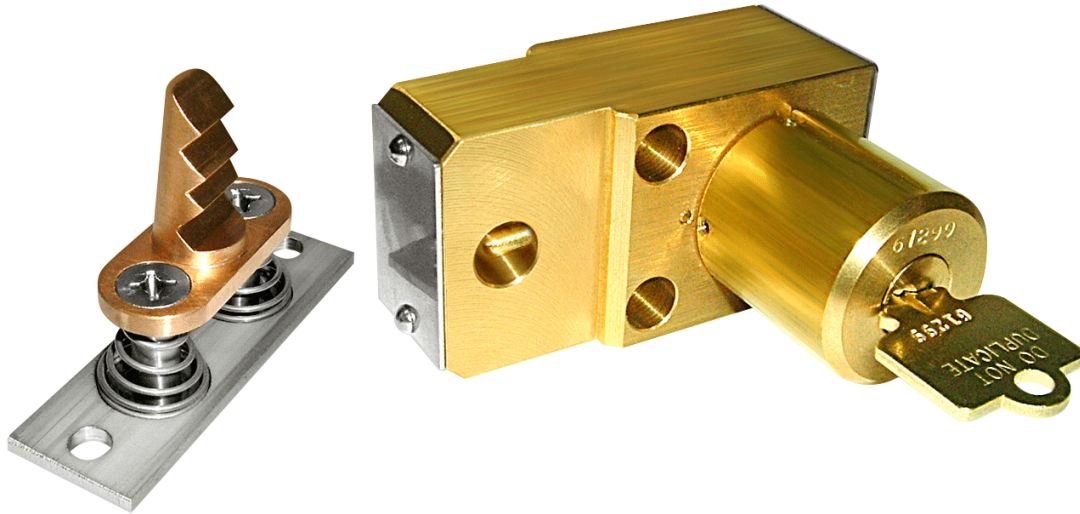
Kirk Key Interlock Company

211 Wetmore Ave. S.E., Massillon, OH 44646

Phone: 330.833.8223 • Fax: 330.833.1528 • Toll Free: 800.438.2442

Email: sales@kirkkey.com

Type DC - Panel Door Interlock



OPTIONS (Continued)

Dust Covers – see SD Series Data Sheet for Dust Covers (3.1) for details.

Mounting Bolts – see SD Series Data Sheet for Mounting Bolts (3.2) for details.

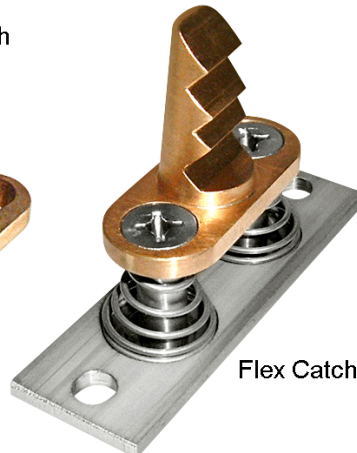
Opposite Hand – The photos show a typical “right-handed” Type DC interlock – the interlock body is on the right-hand side of the catch. If your application requires the catch to be on the left side of the lock body, specify “opposite hand” when ordering the type DC interlock. See the SD Series Ordering Guide and SD Series Data Sheet on Terminology (4.1) for details.

Caution: The Type DC interlock should not be used to align the door, or to be the only latching means for holding the door in the closed position.

Standard Catch



Flex Catch



SD SERIES - SPECIFICATION DATA SHEET 1.18



www.kirkkey.com

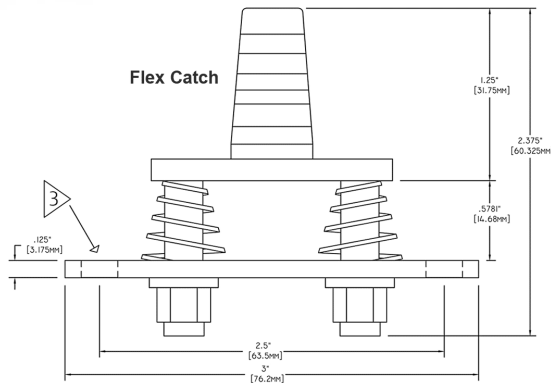
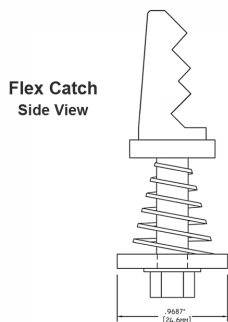
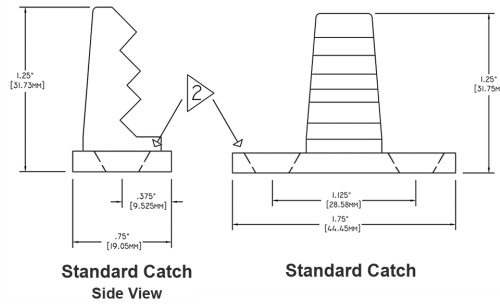
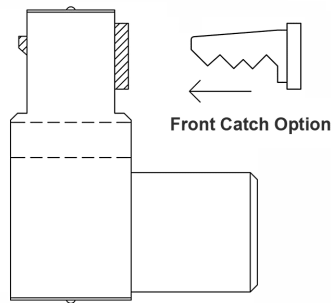
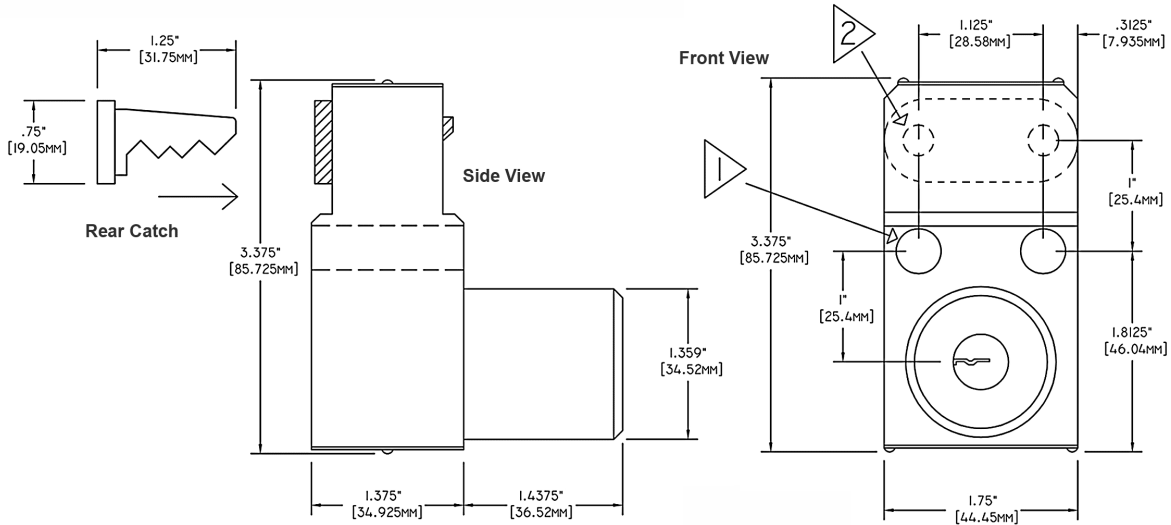
Kirk Key Interlock Company

211 Wetmore Ave. S.E., Massillon, OH 44646

Phone: 330.833.8223 • Fax: 330.833.1528 • Toll Free: 800.438.2442

Email: sales@kirkkey.com

Type DC - Panel Door Interlock



NOTES:

- 1) 0.4062" (10.32mm) Holes for Mounting Bolts (2 Holes)
- 2) 0.277" (7mm) Countersunk Holes (2 Holes) in Standard Catch
- 3) 0.277" (7mm) Holes for Mounting Bolts (2 Holes) in Flex Catch

SD SERIES - SPECIFICATION DATA SHEET 1.18



www.kirkkey.com

Kirk Key Interlock Company

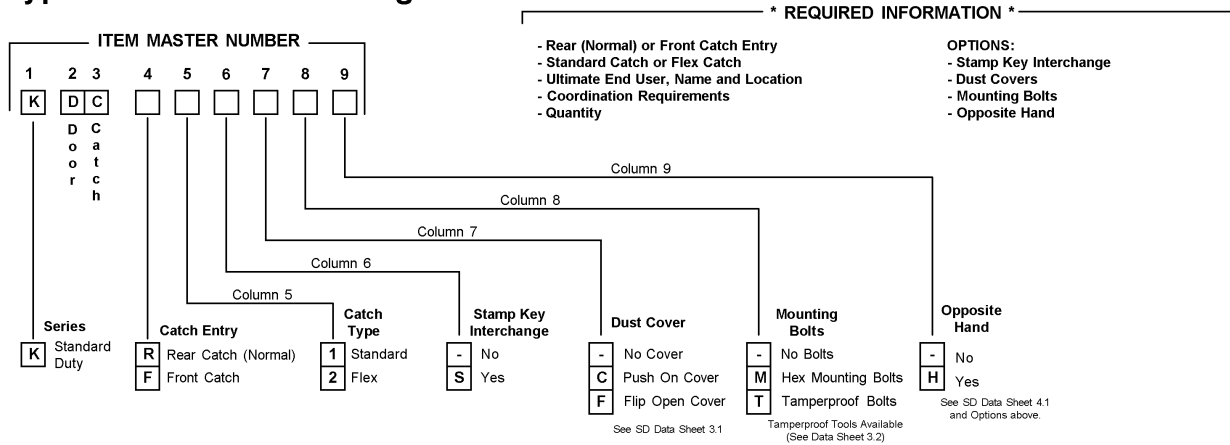
211 Wetmore Ave. S.E., Massillon, OH 44646

Phone: 330.833.8223 • Fax: 330.833.1528 • Toll Free: 800.438.2442

Email: sales@kirkkey.com

Type DC - Panel Door Interlock

Type DC Interlock Ordering Guide



Kirk Key Interlock Company

211 Wetmore Ave S.E., Massillon, Ohio 44646

Ph: 330.833.8223 Fax: 330.833.1528

Toll Free: 800.438.2442