

SD SERIES - SPECIFICATION SHEET 3.1



Kirk Key Interlock Company

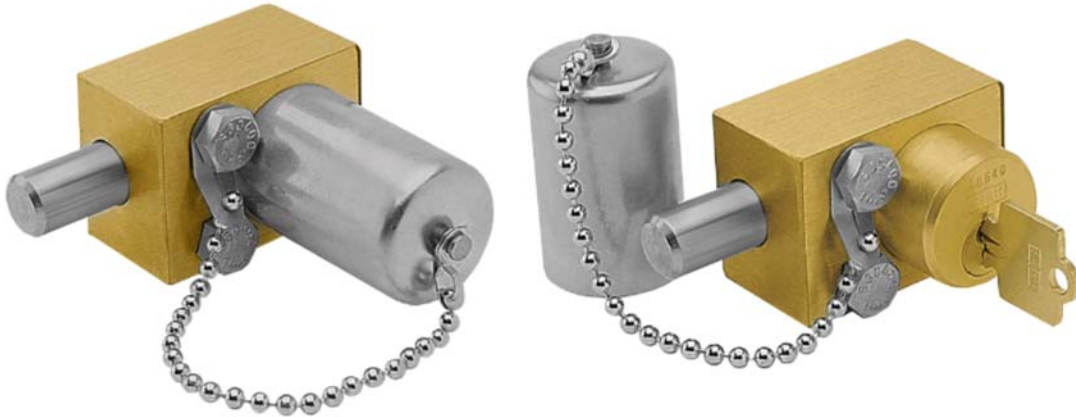
9048 Meridian Circle NW, North Canton, OH 44720

Phone: 234.209.9301 • Fax: 330.497.4400 • Toll Free: 800.438.2442

Website: www.kirkkey.com Email: sales@kirkkey.com

Protective Covers

Push On (pages 1-2 of 4)



Protective covers shield the lock cylinder and key from adverse environmental conditions such as moisture, dirt, and sleet. The protective covers also protect the key from accidental damage. We highly recommend protective covers for outdoor installations.

Push On (Part # 234729501)

The push on protective cover can be placed over the lock cylinder when the key is in the held position or removed. One end of the protective cover chain is attached to the top of the protective cover and serves to retain the cover when removed. The other end has a mounting ring, which is secured under a mounting bolt head.

On a multi-cylinder interlock, all of the push on protective covers are tethered together and secured with a single mounting ring for your convenience.

To order the push on protective cover put the letter "C" in the appropriate column of the interlock part number. Reference the SD Series Ordering Guide.

The push on protective cover is made from stainless steel.

SD SERIES - SPECIFICATION SHEET 3.1



Kirk Key Interlock Company

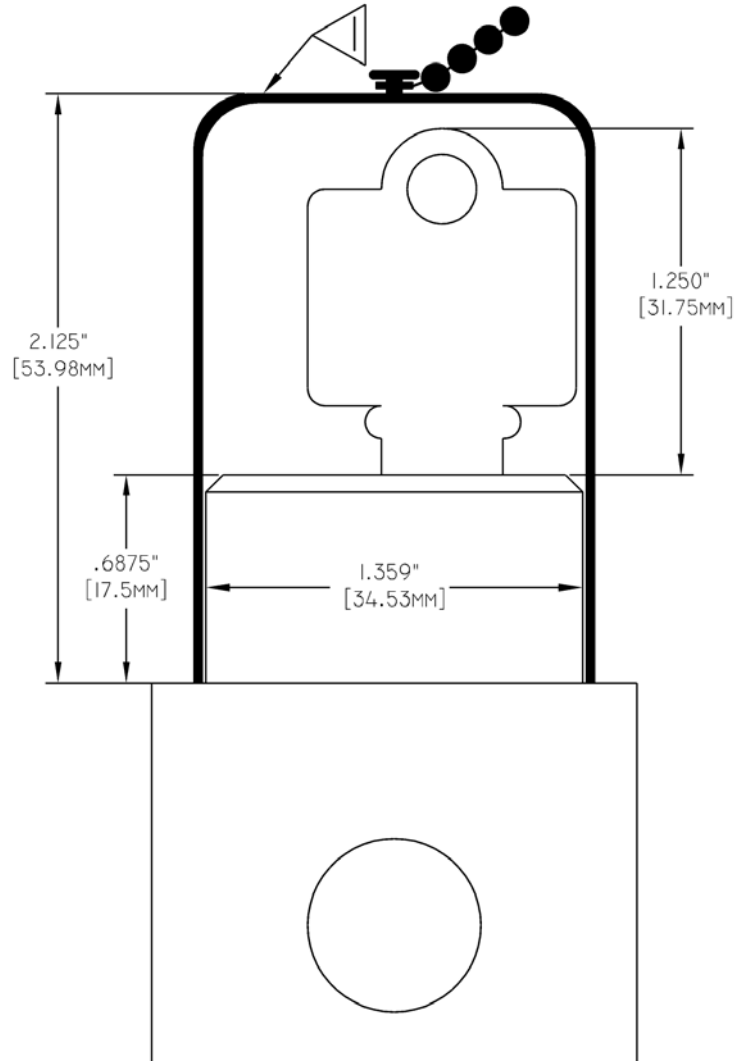
9048 Meridian Circle NW, North Canton, OH 44720

Phone: 234.209.9301 • Fax: 330.497.4400 • Toll Free: 800.438.2442

Website: www.kirkkey.com Email: sales@kirkkey.com

Protective Covers

Push On (pages 1-2 of 4)



NOTES:

- 1) Outline of push on protective cover.

SD SERIES - SPECIFICATION SHEET 3.1



Kirk Key Interlock Company

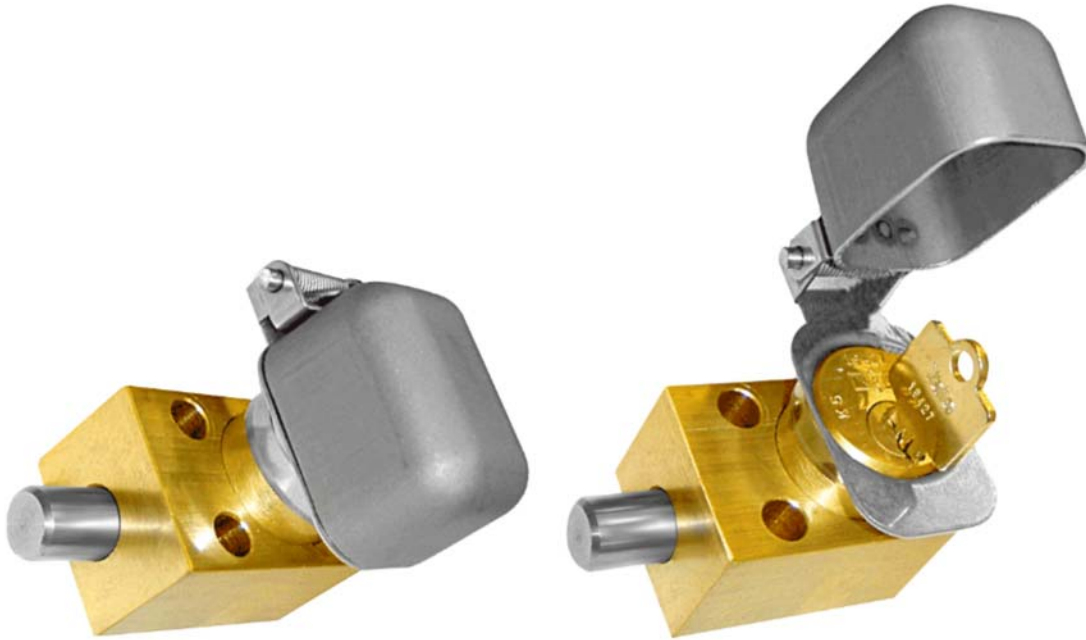
9048 Meridian Circle NW, North Canton, OH 44720

Phone: 234.209.9301 • Fax: 330.497.4400 • Toll Free: 800.438.2442

Website: www.kirkkey.com Email: sales@kirkkey.com

Protective Covers

Flip Open (pages 3-4 of 4)



Protective covers shield the lock cylinder and key from adverse environmental conditions such as moisture, dirt, and sleet. The protective covers also protect the key from accidental damage. We highly recommend protective covers for outdoor installations.

Flip Open (Part # FC501)

The flip open protective cover is hinged and is held closed with spring tension. It is designed to protect the lock cylinder and key regardless of the position of the key. The flip open protective cover is attached to the lock cylinder with a stainless steel set screw.

To order the flip open protective cover put the letter "F" in the appropriate column of the interlock part number. Reference the SD Series Ordering Guide.

The flip open protective cover is made from stainless steel.

SD SERIES - SPECIFICATION SHEET 3.1



Kirk Key Interlock Company

9048 Meridian Circle NW, North Canton, OH 44720

Phone: 234.209.9301 • Fax: 330.497.4400 • Toll Free: 800.438.2442

Website: www.kirkkey.com Email: sales@kirkkey.com

Protective Covers

Flip Open (pages 3-4 of 4)

