

SD SERIES - SPECIFICATION DATA SHEET 1.1



Kirk Key Interlock Company

9048 Meridian Circle NW, North Canton, OH 44720

Phone: 234.209.9301 • Fax: 330.497.4400 • Toll Free: 800.438.2442

Website: www.kirkkey.com Email: sales@kirkkey.com

Type F - Flat Mounted



The Type F interlock is generally flat or face mounted with bolts through the front of the housing. The body of the lock is brass and the locking bolt is made of 5/8" diameter stainless steel. The throw, or travel, of the locking bolt is 3/4".

OPTIONS

- Locking Bolt Length - when ordering, specify the length of the locking bolt in the withdrawn position. Standard lengths are 1/4", 3/8", 1/2", 3/4", 1", 2", and 3". Non-standard lengths are also available. (1" Lock Bolt shown on drawing)
- Key Removable - the key(s) is removable when the locking bolt is either in the extended (E) or withdrawn (W) position. Please choose E or W when ordering an interlock. Key removable extended is the most common because the locking bolt is typically extended to block/engage something.
- Multi-Cylinder - up to 15 cylinders available. Housings with 5 cylinders or more come with mounting holes at each end of the housing. Designate "E" or "W" key removable position for each cylinder.
- Stamp Key Interchange - specify an alphanumeric code to be stamped on the cylinder face and the key (e.g. A1, A2, B1, etc. - up to 5 characters). See SD Series Data Sheet for Keys (3.4) and Terminology (4.1) for details.
- Auxiliary Switches - see SD Series Data Sheets for Type Thermoplastic (2.3), Type S (2.4) and Type K (2.5) for details.
- Protective Covers - see SD Series Data Sheet for Protective Covers (3.1) for details.
- Mounting Bolts - see SD Series Data Sheet for Mounting Bolts (3.2) for details.
- "Opposite Hand" - see SD Series Data Sheet for Terminology (4.1) for details.

SD SERIES - SPECIFICATION DATA SHEET 1.1



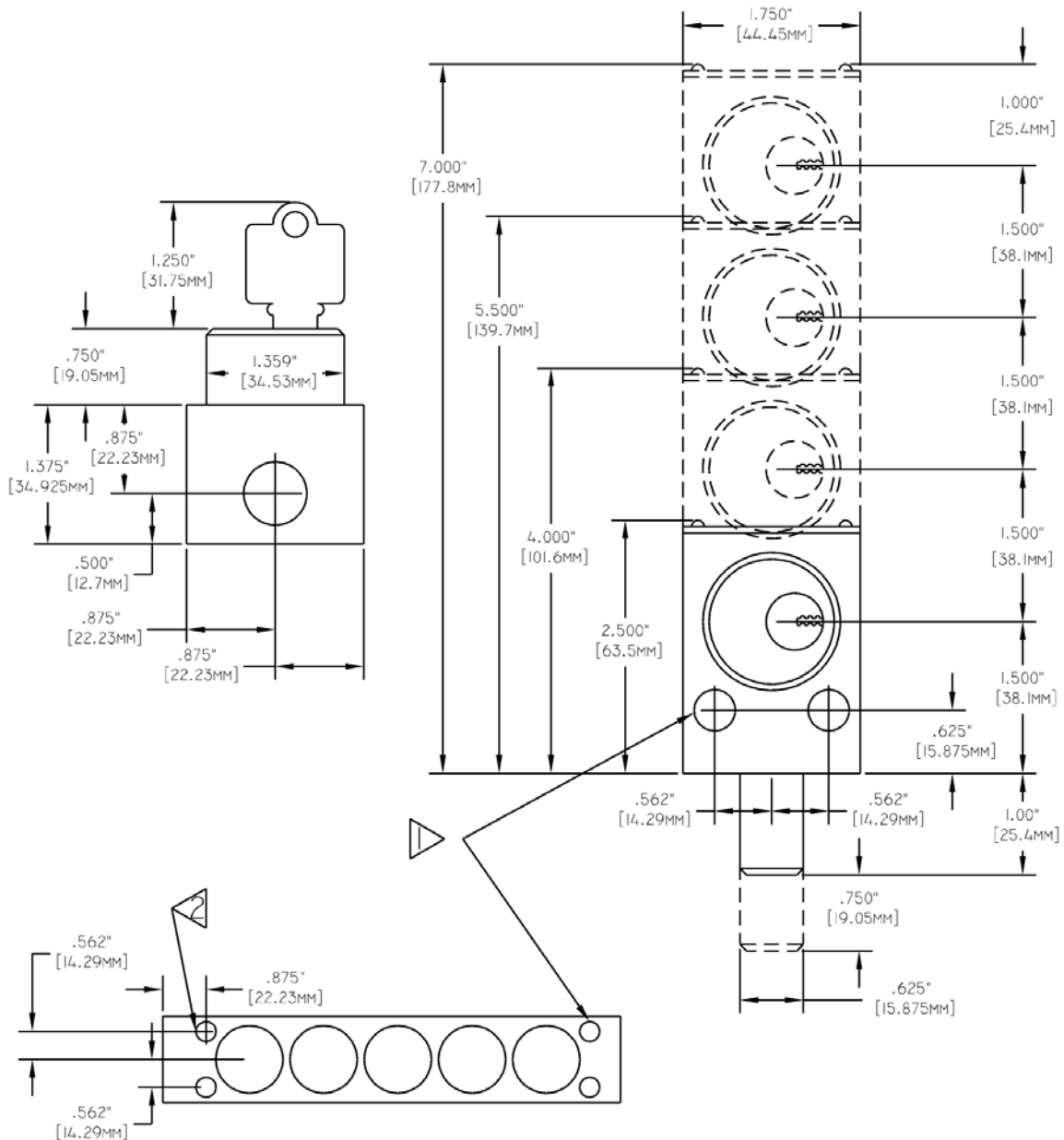
Kirk Key Interlock Company

9048 Meridian Circle NW, North Canton, OH 44720

Phone: 234.209.9301 • Fax: 330.497.4400 • Toll Free: 800.438.2442

Website: www.kirkkey.com Email: sales@kirkkey.com

Type F - Flat Mounted



NOTES:

- 1) 0.4062" (10.32mm) holes for mounting bolts (2 holes).
- 2) Mounting holes for locks with 5 or more cylinders. Type F interlocks with five or more cylinders will have mounting holes at each end of the interlock. The rear mounting holes are 7/8" (22.23mm) from the end. The total length of the five cylinder Type F interlock is 9 1/2" (24.13cm) . Add 1 1/2" (38.1mm) for every additional cylinder.