

SD SERIES - SPECIFICATION DATA SHEET 2.8



Kirk Key Interlock Company

9048 Meridian Circle NW, North Canton, OH 44720

Phone: 234.209.9301 • Fax: 330.497.4400 • Toll Free: 800.438.2442

Website: www.kirkkey.com Email: sales@kirkkey.com

Type PPS - Panel Mounted Switch (20 Amp Shown)



The SD Series Power Panel Switch is a key actuated, rotary, two-position** switch designed for isolation or switching of control circuitry. It is available with switch ratings of 20, 25, 40 or 63A. Perfectly suited for applications requiring temporary off-load isolation. The switch is UL Listed and CSA Approved.

The PPS is designed so that the key will rotate 90 degrees clockwise to the trapped position. Rotation of the key to either the trapped or to the released position will cause the switch contacts to change state. The standard PPS can be panel mounted with 1/4" diameter (7mm) mounting bolts. The quantity and location of the mounting holes are shown on the drawings that follow.

An optional IP65 Polycarbonate enclosure allows surface mounting of the PPS using four bolts suitable for your specific application. Enclosure photo and drawing shown on pg 3.

Standard switch contact arrangements are shown in the chart on pg 2. Consult the factory for other contact arrangements.

Switch ratings and specifications are outlined on SD Series Data Sheet 2.8a.

The SD Series PPS key is nickel-silver and lock body is made from brass.

OPTIONS:

- Switch Rating and Contact Arrangements – see chart on page 2 and ordering guide on page 4.
- Mounting Options – Panel Mounting (standard) or Enclosed in an IP65 Polycarbonate enclosure. The enclosed version is supplied with an (M20) .20-.35" cable gland and lock nut.
- Stamp Key Interchange – Specify an alphanumeric code to be stamped on the key and cylinder face (e.g. A1, A2, K1, etc.– up to five characters). See SD Series Data Sheet for Keys (3.4) and Terminology (4.1) for details. Protective Cover–See SD Series Data Sheet 3.1 for details.
- Mounting Bolts – See SD Series Data Sheet 3.2 for details.
- Temperature Rating – -13 F to 100 F

**Three-position switch available

SD SERIES - SPECIFICATION DATA SHEET 2.8



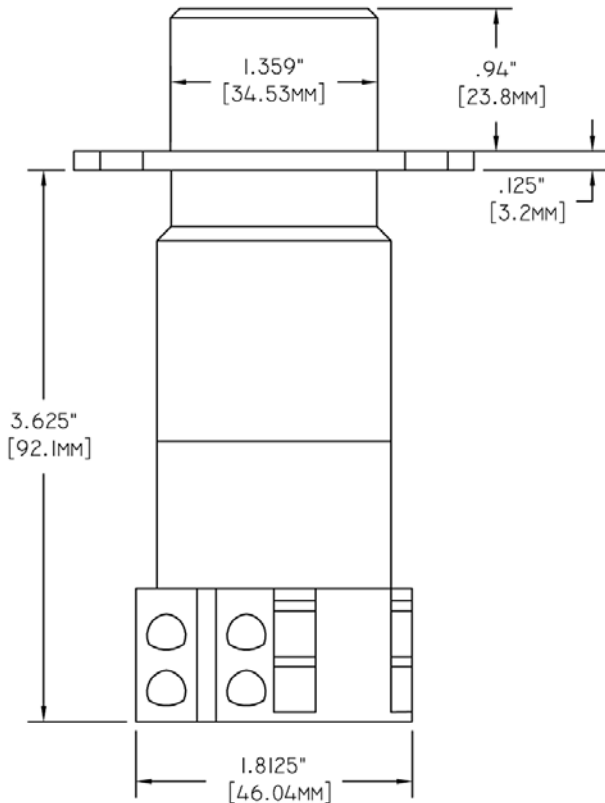
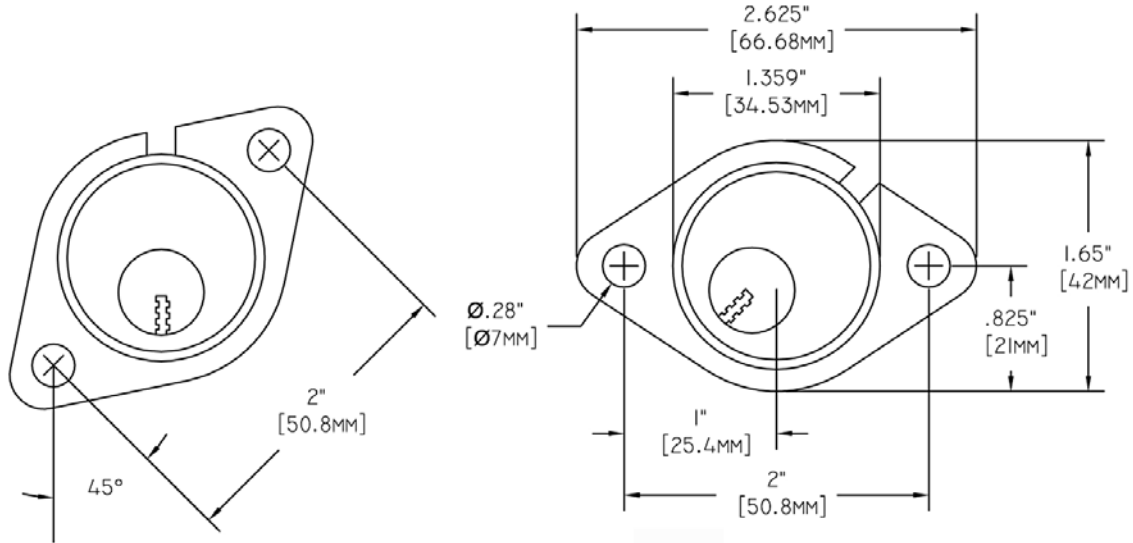
Kirk Key Interlock Company

9048 Meridian Circle NW, North Canton, OH 44720

Phone: 234.209.9301 • Fax: 330.497.4400 • Toll Free: 800.438.2442

Website: www.kirkkey.com Email: sales@kirkkey.com

Type PPS - Panel Mounted Switch (20 Amp Shown)

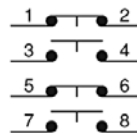


20 Amp rated switch only

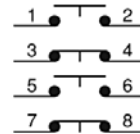
See PPS Ordering Guide on Page 4

2 NO / 2 NC

Key Released



Key Trapped

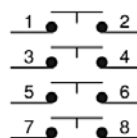


Available in all switch sizes.

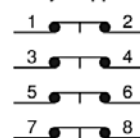
See PPS Ordering Guide on Page 4

4 NO

Key Released



Key Trapped



SD SERIES - SPECIFICATION DATA SHEET 2.8



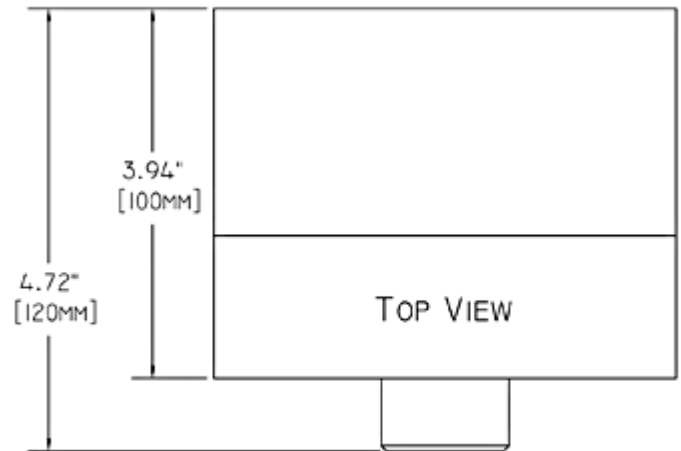
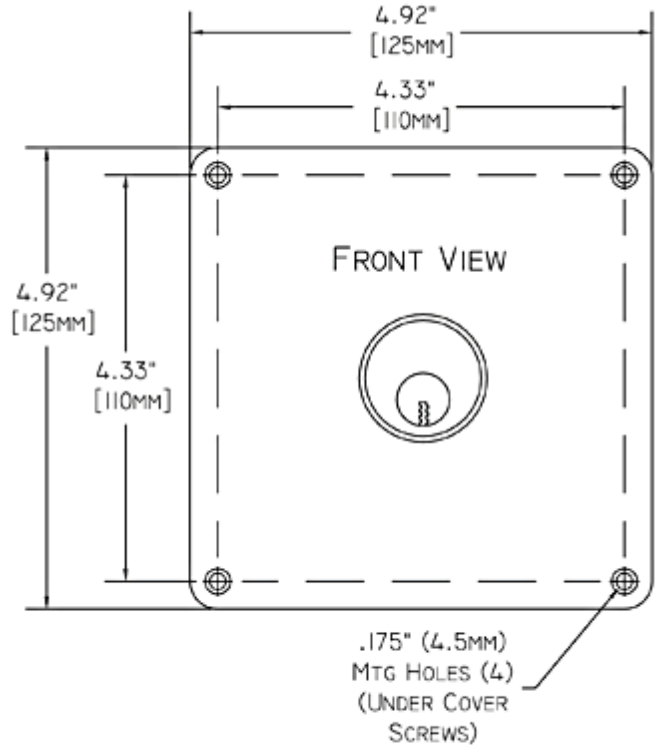
Kirk Key Interlock Company

9048 Meridian Circle NW, North Canton, OH 44720

Phone: 234.209.9301 • Fax: 330.497.4400 • Toll Free: 800.438.2442

Website: www.kirkkey.com Email: sales@kirkkey.com

Type PPS - Panel Mounted Switch (20 Amp Shown)



SD SERIES - SPECIFICATION DATA SHEET 2.8



Kirk Key Interlock Company

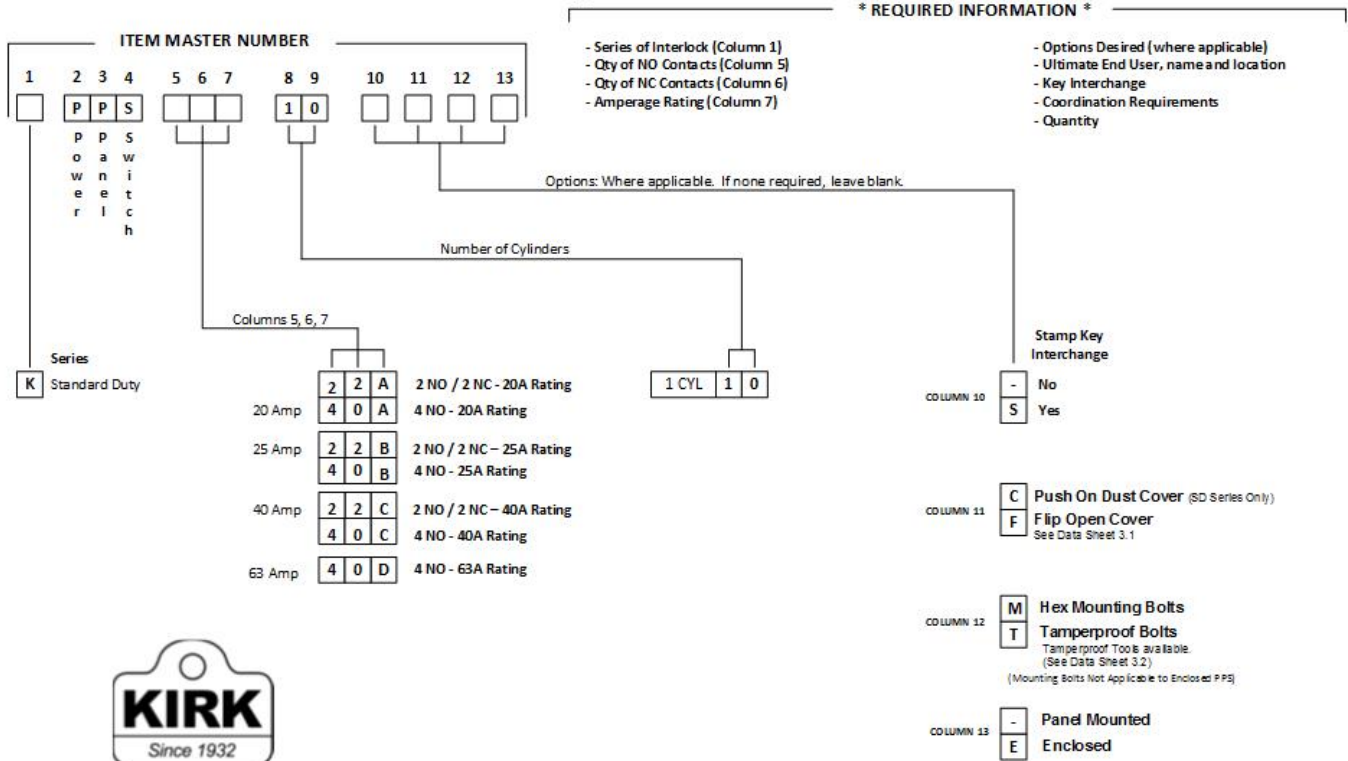
9048 Meridian Circle NW, North Canton, OH 44720

Phone: 234.209.9301 • Fax: 330.497.4400 • Toll Free: 800.438.2442

Website: www.kirkkey.com Email: sales@kirkkey.com

Type PPS - Panel Mounted Switch SD Series - Ordering Guide

Power Panel Mounted Switch Ordering Guide



Kirk Key Interlock Company

9048 Meridian Circle NW, North Canton, OH 44720

Ph: 234.209.9301 Fax: 330.497.4400

Toll Free: 800.438.2442