

SD SERIES - SPECIFICATION DATA SHEET 2.6



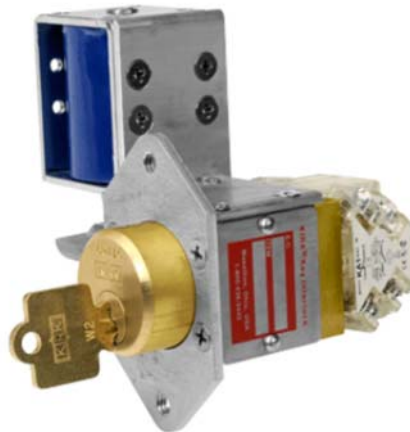
Kirk Key Interlock Company

9048 Meridian Circle NW, North Canton, OH 44720

Phone: 234.209.9301 • Fax: 330.497.4400 • Toll Free: 800.438.2442

Website: www.kirkkey.com Email: sales@kirkkey.com

Type SKPM - Solenoid Key Panel Mounted



The Type SKPM is a single cylinder interlock similar to the standard, unboxed SKRU in function but is more compact and is ideal where space is limited. The SKPM is designed to permit removal of the interlock key in response to an electric signal. However, instead of utilizing a terminal block, the SKPM is arranged so that the customer's leads are wired directly to the solenoid and to the auxiliary switches. The SKPM is designed so that the key is removable only when the solenoid is energized. All electrical components are UL recognized. Each SKPM is furnished with two tandem mounted Sq D Class 9001 KA1 contact blocks for a total of 2 N.O. and 2 N.C. auxiliary contacts. The switch rating is:

120VAC - 60A make / 6A break / 10A continuous

240VAC - 30A make / 3A break / 10A continuous

125VDC - 0.55A make & break / 2.5A continuous

Note: The 9001 KA1 contact blocks are not intended to be utilized in the solenoid circuit. If your design requires the aux contacts to break the signal to the solenoid, you must use the SKRU (Data Sheets 2.2A-2.2C). Reference the SKRU wiring diagram data sheet.

The SKPM is not offered with any type of housing. See SD Series Data Sheet 2.2 (SKRU) if a housed solenoid key release is required.

OPTIONS

- Solenoid Voltage – 120VAC, 24VDC, 48VDC, or 125VDC.
- LED Signal Lamp – an LED signal lamp kit is available to be wired by the installer. Shipped loose.
- Push Button – a push button kit is available to be wired by the installer. Shipped loose.
- Stamp Key Interchange - specify an alphanumeric code to be stamped on the cylinder face and the key (e.g. A1, A2, B1, etc. - up to 5 characters). See SD Series Data Sheet for Keys (3.4) and Terminology (4.1) for details.
- Protective Covers - see SD Series Data Sheet for Protective Covers (3.1) for details.
- Mounting Bolts – 1/4"-20 x 5/8" hex head made of stainless steel. Tamperproof mounting bolts are also available (1/4"-20 x 3/4").

Note: If both the LED signal lamp and push button are selected, a combination signal lamp and push button device will be furnished.

SD SERIES - SPECIFICATION DATA SHEET 2.6



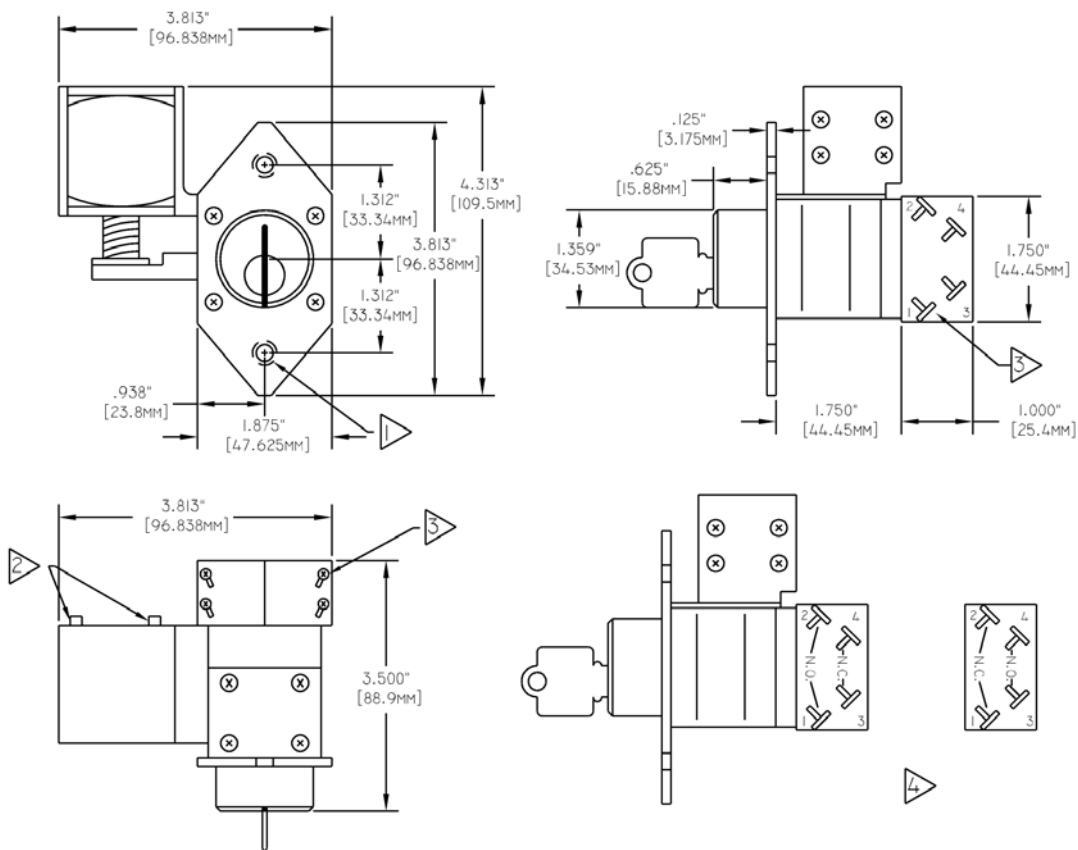
Kirk Key Interlock Company

9048 Meridian Circle NW, North Canton, OH 44720

Phone: 234.209.9301 • Fax: 330.497.4400 • Toll Free: 800.438.2442

Website: www.kirkkey.com Email: sales@kirkkey.com

Type SKPM - Solenoid Key



NOTES:

- 1) 1/4"-20 tapped mounting holes (2 holes).
- 2) .187 QC terminals.
- 3) Contact block terminal screws (8 screws).
- 4) Contact Arrangement: On the left is the contact position with the solenoid de-energized and key trapped - contacts 1 & 2 are open, 3 & 4 are closed. On the right is the contact position with the solenoid energized and the key released - contacts 1 & 2 are closed, 3 & 4 are open.