

# WIRING DIAGRAM for SKPM



Work **SAFE** For **LIFE**

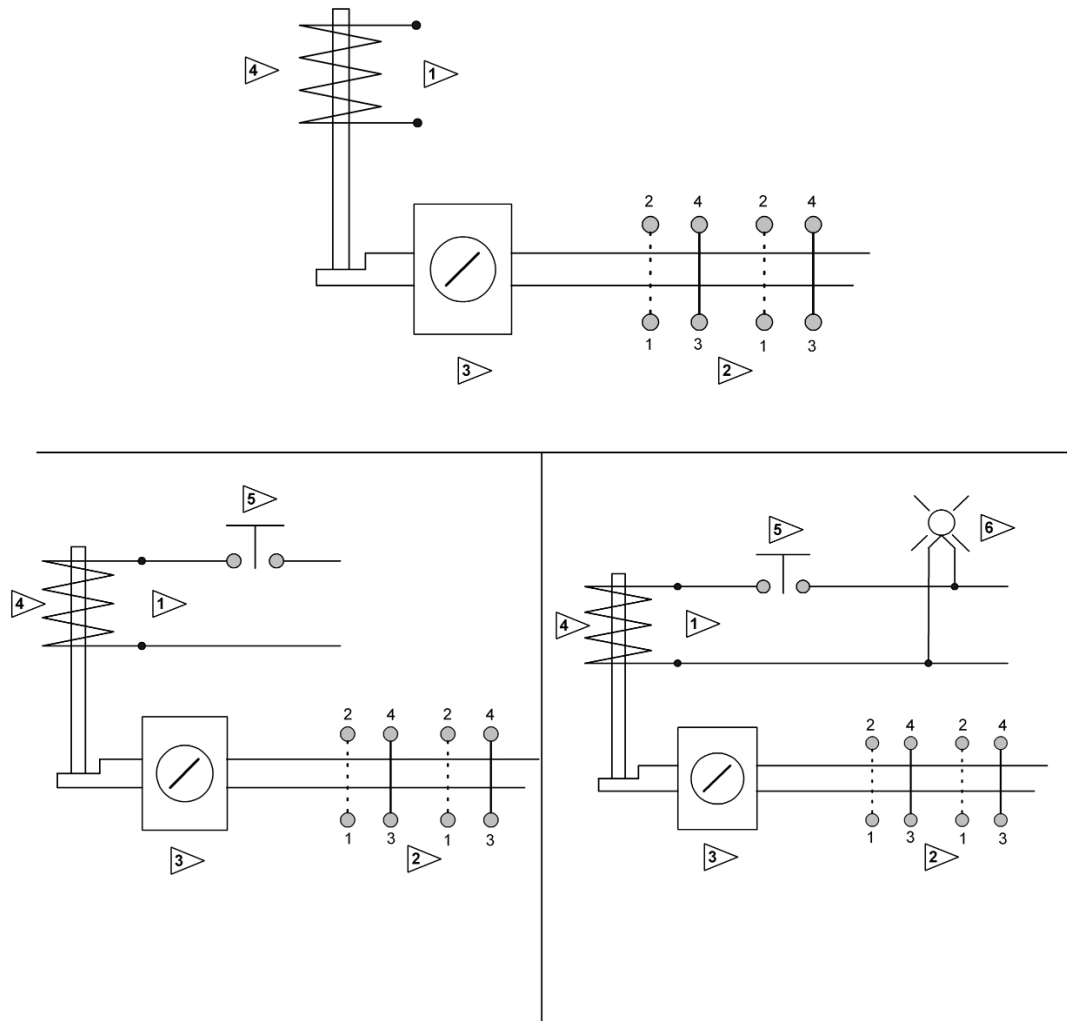
## Kirk Key Interlock Company

9048 Meridian Circle NW, North Canton, OH 44720

Phone: 234.209.9301 • Fax: 330.497.4400 • Toll Free: 800.438.2442

Website: [www.kirkkey.com](http://www.kirkkey.com) Email: [sales@kirkkey.com](mailto:sales@kirkkey.com)

## SKPM Wiring Diagram



### NOTES:

- 1) Solenoid contact terminals.
- 2) Auxiliary contacts: two Square D Class 9001 KA1 contact blocks. Contacts 1-2 normally open and contacts 3-4 normally closed. The contacts change state when, after the solenoid is energized, the key is turned and removed.
- 3) KIRK® key interlock - key is normally retained in lock. Key is removable when solenoid is energized.
- 4) Solenoid (normally de-energized).
- 5) Optional pushbutton - close to energize solenoid.
- 6) Optional signal lamp indicates when solenoid is energized.
- 7) Do not wire the solenoid circuit through the SKPM aux contacts.