



www.kirkkey.com

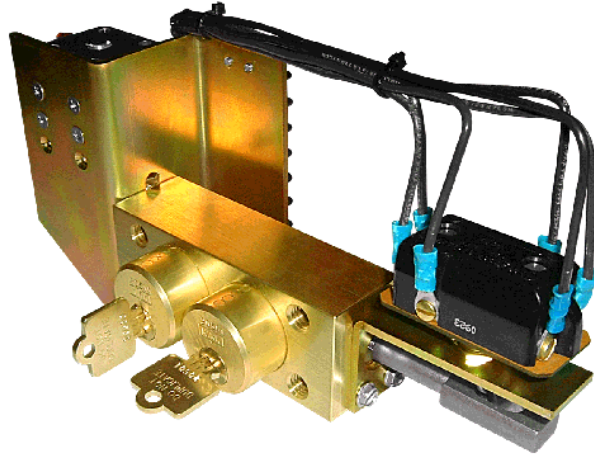
Kirk Key Interlock Company

211 Wetmore Ave. S.E., Massillon, OH 44646

Phone: 330.833.8223 • Fax: 330.833.1528 • Toll Free: 800.438.2442

Email: sales@kirkkey.com

Type SKRU - Solenoid Key Release Unit 2-Key, Unhoused



The Type SKRU consists of an interlock, a solenoid, and an auxiliary switch. The solenoid is designed to permit removal of the interlock key in response to an external electric signal. The auxiliary switch is a quick-make, quick-break device, which operates when the interlock key is rotated. Normally, the keys are trapped in the SKRU and the solenoid is de-energized. To release the keys, a signal must be sent to the solenoid from an external source.

The SKRU is typically used in combination with other KIRK® key interlocks. The SKRU can be manufactured with various mechanical and electrical options. The push button and/or the signal lamp are the most popular options. All components are UL recognized. The solenoid, optional signal lamp and optional push button are wired out to a terminal block along with some of the auxiliary contacts. Please reference the wiring diagrams on our website for specific details.

The main body of the SKRU is constructed of brass. The optional cover plate is aluminum and the optional housing is made from fiberglass reinforced polyester.

OPTIONS

- Mounting Options – unhoused (shown pictured above), cover plate only (shown on next page), or housed (shown on SD Series Data Sheet 2.2C).
- Key Removable – the 2-key SKRU can be keyed either of two ways: 1) both keys normally held - both keys released together once the solenoid is energized. 2) one key normally held - the held key is released once the solenoid is energized and the initiating key is inserted and turned.
- Signal Lamp – indicates that the external electric signal has been sent to the solenoid.
- Push Button – connected in series with the solenoid - the push button must be pressed to allow the external electric signal to energize the solenoid.



www.kirkkey.com

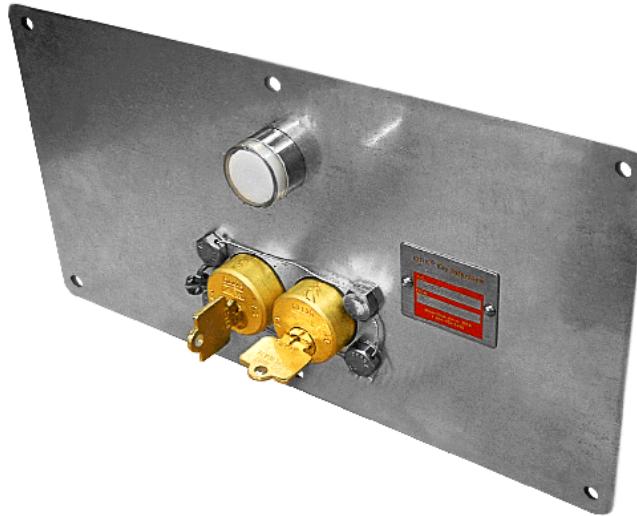
Kirk Key Interlock Company

211 Wetmore Ave. S.E., Massillon, OH 44646

Phone: 330.833.8223 • Fax: 330.833.1528 • Toll Free: 800.438.2442

Email: sales@kirkkey.com

**Type SKRU - Solenoid Key Release Unit
2-Key, Cover Plate Mounted**



OPTIONS (continued)

- Solenoid Voltage – 120VAC, 24VDC, 48VDC, or 125VDC.
- Auxiliary Switch – double pole/double throw (DP/DT) is standard. The DP/DT switch is UL recognized and rated 10A 250VAC or VDC, or 15A 125VAC or VDC. Four pole/double throw (4P/DT) is available.
- Gasket – available for weatherproofing with Housed option.
- Multi-Cylinder - up to 2 cylinders available. The two-cylinder SKRU can be keyed either of two ways, 1) both keys released together once the solenoid is energized or, 2) keyed so that one initiating key and the external signal to the solenoid are required to release a held key.
- Stamp Key Interchange - specify an alphanumeric code to be stamped on the cylinder face and the key (e.g. A1, A2, B1, etc. - up to 5 characters). See SD Series Data Sheet for Keys (3.4) and Terminology (4.1) for details.
- Dust Covers - see SD Series Data Sheet for Dust Covers (3.1) for details.

Notes:

- 1) If both the signal lamp and push button are selected as options, the SKRU will be supplied with a combination signal lamp and push button as a single device.
- 2) If the Cover Plate Only mounting option is selected, the Unhoused SKRU will be mounted to an aluminum cover plate. See the photo above and Data Sheet 2.2C.

SD SERIES - SPECIFICATION DATA SHEET 2.2B



www.kirkkey.com

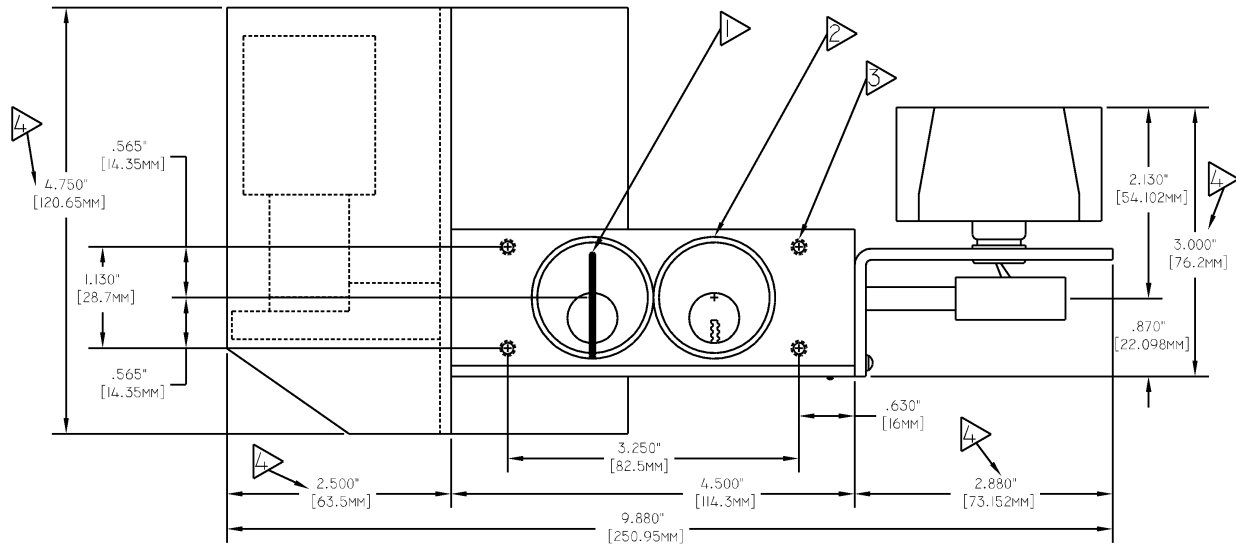
Kirk Key Interlock Company

211 Wetmore Ave. S.E., Massillon, OH 44646

Phone: 330.833.8223 • Fax: 330.833.1528 • Toll Free: 800.438.2442

Email: sales@kirkkey.com

Type SKRU - Solenoid Key Release Unit 2-Key, Unhoused



NOTES:

- 1) Operating key shown in held position.
- 2) Initiating key if "DE", second operating key if "EE". See SD Series Ordering Guide.
- 3) 3/8"-16 x 1" deep tapped holes for mounting (4 holes).
- 4) Clearance dimension.
- 5) See cover plate drawing on page 3 of Data Sheet 2.2c for lock cylinder and mounting hole dimensions for unhoused Two-key SKRU.