



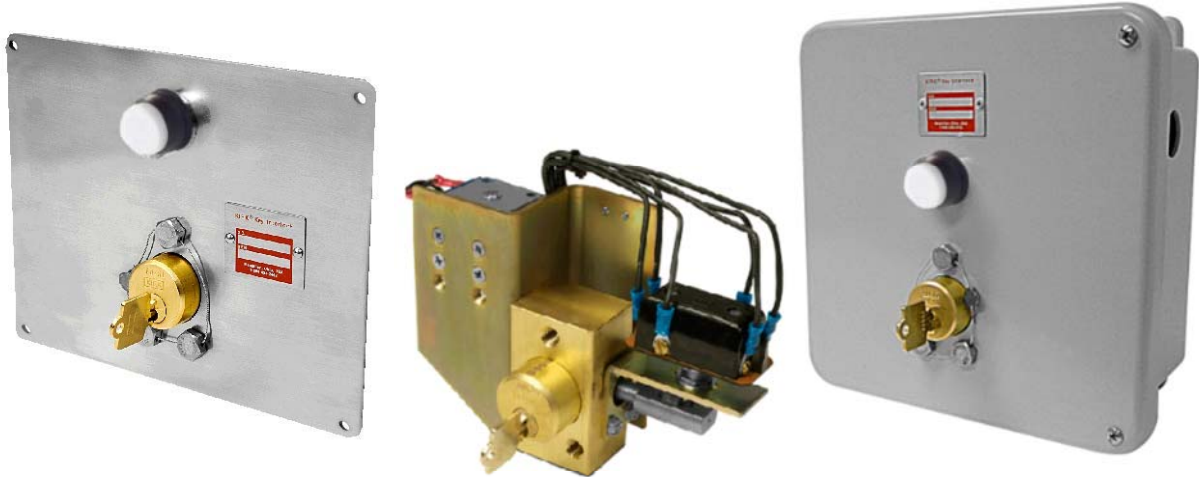
Kirk Key Interlock Company

9048 Meridian Circle NW, North Canton, OH 44720

Phone: 234.209.9301 • Fax: 330.497.4400 • Toll Free: 800.438.2442

Website: www.kirkkey.com Email: sales@kirkkey.com

Type SKRU - Solenoid Key Release Unit



The Type SKRU consists of an interlock, a solenoid, and an auxiliary switch. The solenoid is designed to permit removal of the interlock key in response to an external electric signal. The auxiliary switch is a quick-make, quick-break device, which operates when the interlock key is rotated. Normally, the key is trapped in the SKRU and the solenoid is de-energized. To release the key, a signal must be sent to the solenoid from an external source.

The SKRU is typically used in combination with other KIRK® key interlocks. The SKRU can be manufactured with various mechanical and electrical options. The push button and/or the LED signal lamp are the most popular options. All electrical components are UL recognized. The solenoid, optional signal lamp and optional push button are wired out to a terminal block along with some of the aux contacts. Please reference the wiring diagrams on our website for specific details.

The main body of the SKRU is constructed of brass. The optional cover plate is stainless steel and the optional housing is fiberglass reinforced polyester.

OPTIONS

- Mounting Options – unboxed, cover plate only, or boxed. The photo above shows all options of the SKRU. The boxed SKRU is available front or back panel mounted. See drawing on page 6 of this data sheet, as well as the interlock ordering guide.
- Key Removable – energized or de-energized. Please specify. Key removable energized is by far the most common.
- Multi-Cylinder - up to 2 cylinders available. The two-cylinder SKRU can be keyed either of two ways, 1) both keys released together once the solenoid is energized or, 2) keyed so that one initiating key and the external signal to the solenoid are required to release a held key. See pages 7-9 for details on the unboxed and boxed Double Cylinder SKRU's.
- LED Signal Lamp – indicates that the external electric signal has been sent to the solenoid.
- Push Button – connected in series with the solenoid - the push button must be pressed to allow the external electric signal to energize the solenoid.



Kirk Key Interlock Company

9048 Meridian Circle NW, North Canton, OH 44720

Phone: 234.209.9301 • Fax: 330.497.4400 • Toll Free: 800.438.2442

Website: www.kirkkey.com Email: sales@kirkkey.com

Type SKRU - Solenoid Key Release Unit

OPTIONS (continued)

- Solenoid Voltage – 24VAC, 120VAC, 240VAC, 24VDC, 48VDC, 125VDC, or 250VDC.
- Auxiliary Switch – double pole/double throw (DP/DT) is standard. The DP/DT switch is UL recognized and rated 10A 250VAC or VDC, or 15A 125VAC or VDC. Four pole/double throw (4P/DT) is available.
- Stamp Key Interchange - specify an alphanumeric code to be stamped on the cylinder face and the key (e.g. A1, A2, B1, etc. - up to 5 characters). See SD Series Data Sheet for Keys (3.4) and Terminology (4.1) for details.
- Protective Covers - see SD Series Data Sheet for Protective Covers (3.1) for details.

Notes:

- 1) If both the signal lamp and push button are selected as options, the SKRU will be supplied with a combination signal lamp and push button as a single device.
- 2) If the Cover Plate Only mounting option is selected, the Unhoused SKRU will be mounted to a stainless steel cover plate. Reference the drawing on page 4 of this Data Sheet.
- 3) Two Cylinder SKRU information is shown on pages 7-9 of this data sheet.

SD SERIES - SPECIFICATION DATA SHEET 2.2



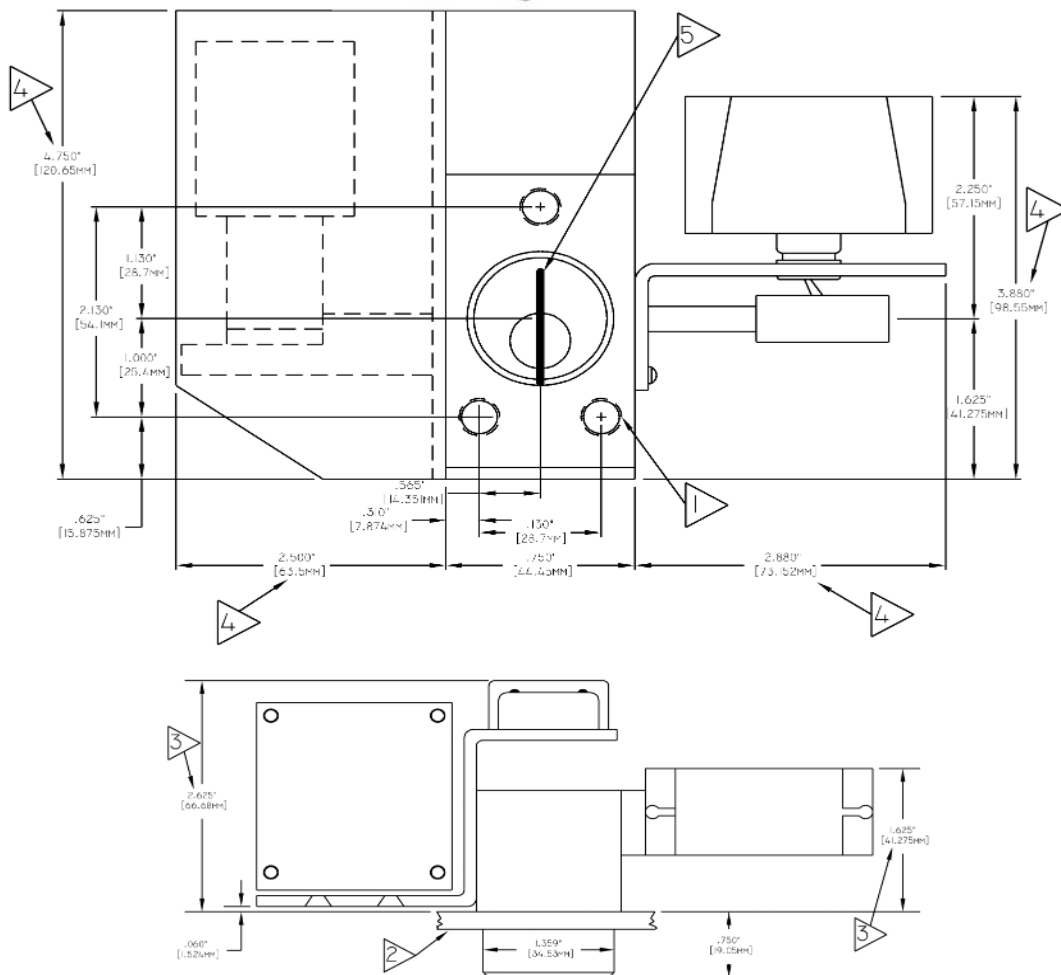
Kirk Key Interlock Company

9048 Meridian Circle NW, North Canton, OH 44720

Phone: 234.209.9301 • Fax: 330.497.4400 • Toll Free: 800.438.2442

Website: www.kirkkey.com Email: sales@kirkkey.com

Type SKRU - Solenoid Key Release Unit Single Cylinder Unhoused, Front and Top View



NOTES:

- 1) Three 3/8"-16 x 1" deep tapped holes for mounting (3 holes).
- 2) Mounting panel or coverplate.
- 3) Clearance dimension from back of panel.
- 4) Clearance dimension.
- 5) Operating key shown in held position.
- 6) See cover plate drawing on page 4 of this Data Sheet for lock cylinder and mounting hole dimensions for unhoused Single Cylinder SKRU.

SD SERIES - SPECIFICATION DATA SHEET 2.2 A



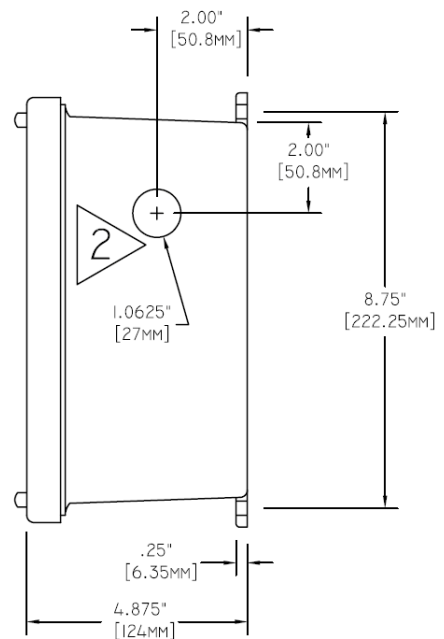
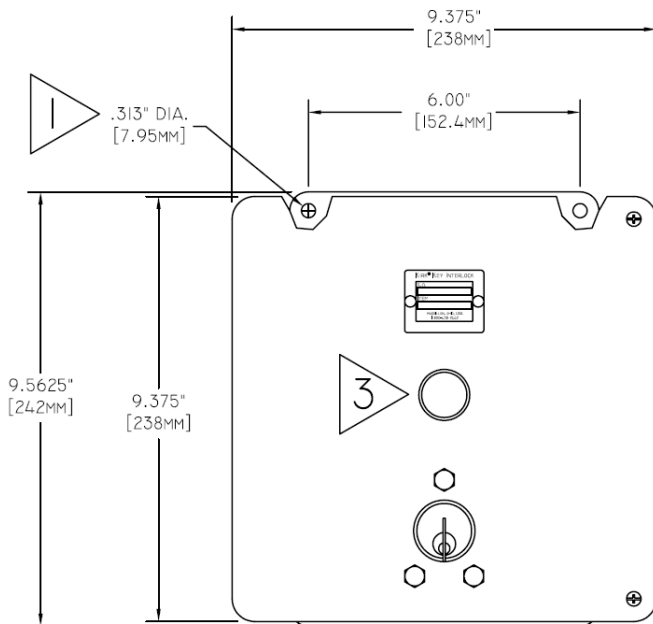
Kirk Key Interlock Company

9048 Meridian Circle NW, North Canton, OH 44720

Phone: 234.209.9301 Fax: 330.497.4400 Toll Free: 800.438.2442

Website: www.kirkkey.com Email: sales@kirkkey.com

Type SKRU - Solenoid Key Release Unit Single Cylinder Housed, Front & Side View



NOTES:

- 1) Four .313" dia. (7.94mm) holes for 1/4" mounting bolts (located on enclosure mounting tabs).
- 2) 1.0625" dia. conduit opening on side.
- 3) Location of signal light or push button (optional accessory).



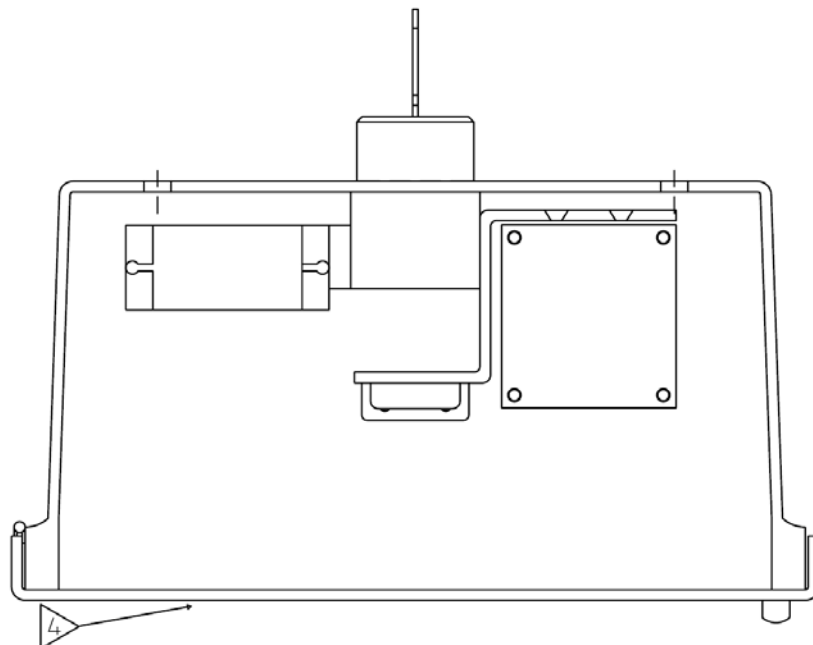
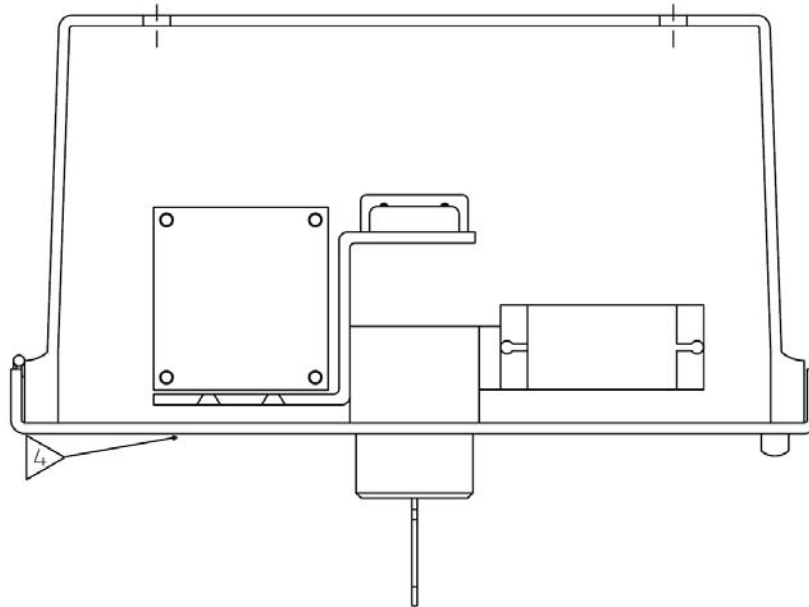
Kirk Key Interlock Company

9048 Meridian Circle NW, North Canton, OH 44720

Phone: 234.209.9301 Fax: 330.497.4400 Toll Free: 800.438.2442

Website: www.kirkkey.com Email: sales@kirkkey.com

**Type SKRU - Solenoid Key Release Unit
Single Cylinder Housed, Top View**



NOTES:

4) The top drawing shows a front panel mounted unit. The bottom drawing shows a back panel mounted unit. 6

SD SERIES - SPECIFICATION DATA SHEET 2.2 B



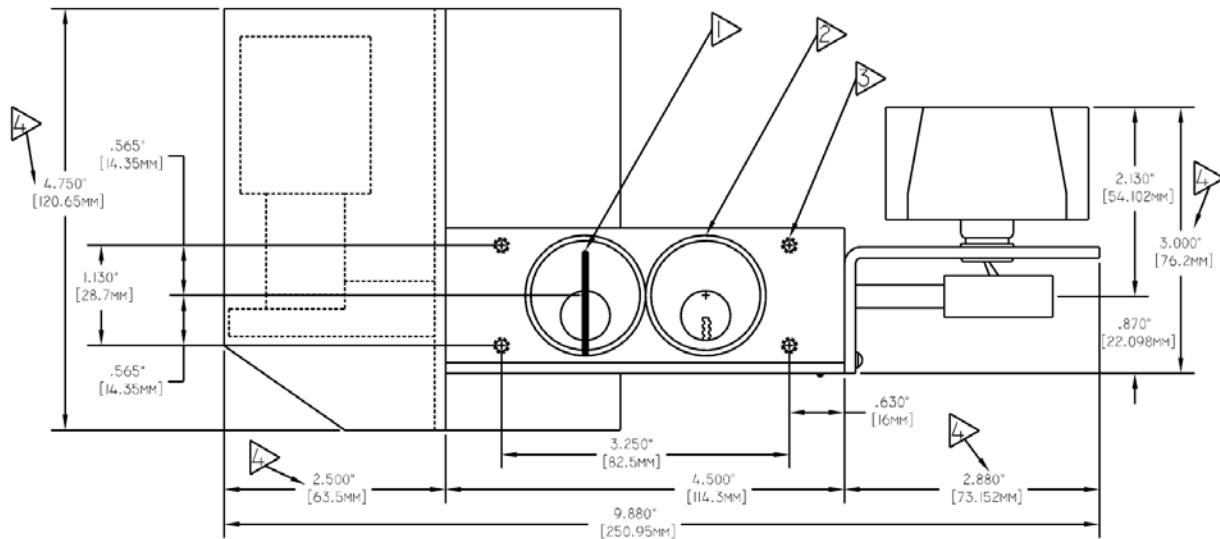
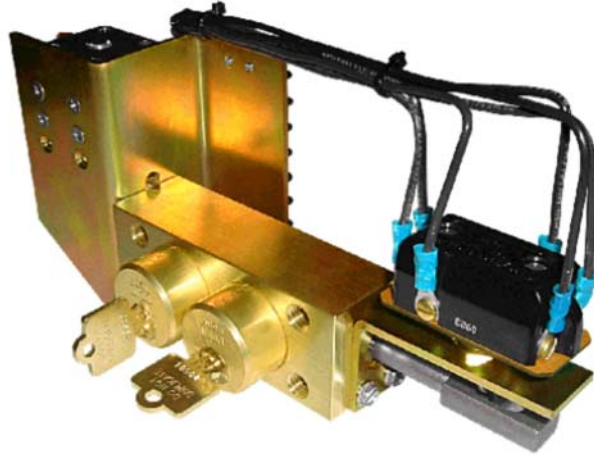
Kirk Key Interlock Company

9048 Meridian Circle NW, North Canton, OH 44720

Phone: 234.209.9301 Fax: 330.497.4400 Toll Free: 800.438.2442

Website: www.kirkkey.com Email: sales@kirkkey.com

Type SKRU - Solenoid Key Release Unit Double Cylinder Unhoused



NOTES:

- 1) Operating key shown in held position.
- 2) Initiating key if "DE", second operating key if "EE". See SD Series Ordering Guide.
- 3) 3/8"-16 x 1" deep tapped holes for mounting (4 holes).
- 4) Clearance dimension.
- 5) See cover plate drawing on page 8 for lock cylinder and mounting hole dimensions for unhoused Double Cylinder SKRU.

SD SERIES - SPECIFICATION DATA SHEET 2.2 B



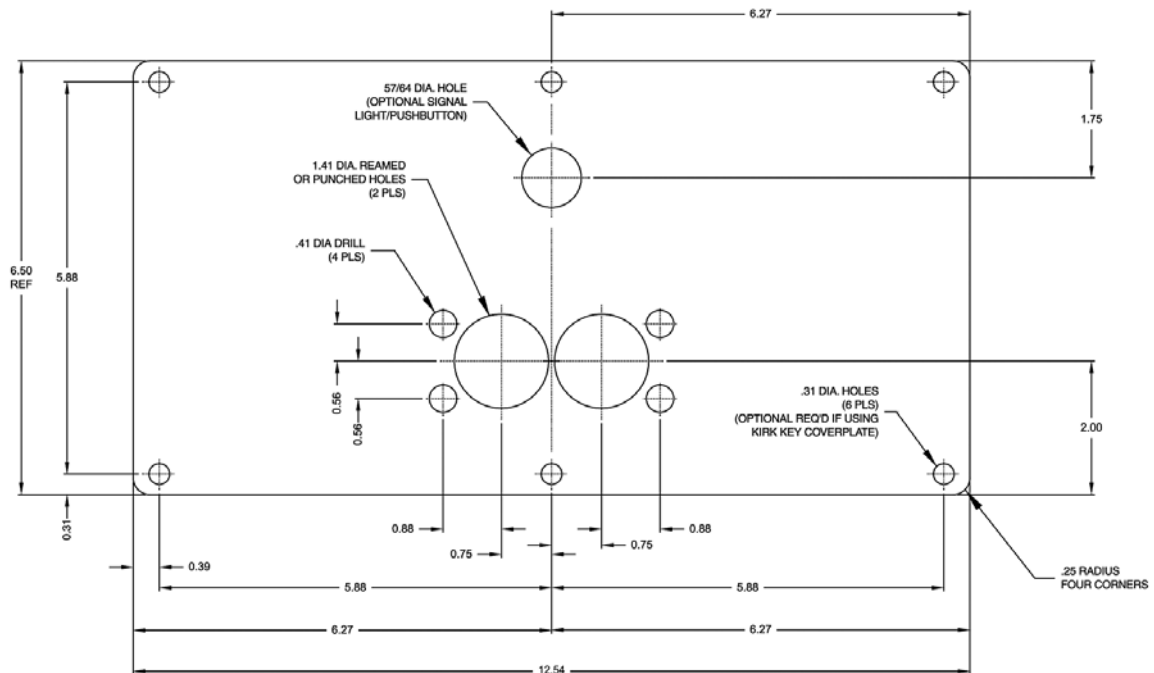
Kirk Key Interlock Company

9048 Meridian Circle NW, North Canton, OH 44720

Phone: 234.209.9301 Fax: 330.497.4400 Toll Free: 800.438.2442

Website: www.kirkkey.com Email: sales@kirkkey.com

Type SKRU - Solenoid Key Release Unit Double Cylinder, Cover Plate Dimensions



NOTE: This drawing provides the lock cylinder and mounting hole dimensions pertaining to unboxed Double Cylinder SKRUs. It also provides overall dimensions and mounting hole locations for the cover plate if SKRU is purchased with cover plate only.

SD SERIES - SPECIFICATION DATA SHEET 2.2 C



Kirk Key Interlock Company

9048 Meridian Circle NW, North Canton, OH 44720

Phone: 234.209.9301 Fax: 330.497.4400 Toll Free: 800.438.2442

Website: www.kirkkey.com Email: sales@kirkkey.com

Type SKRU - Solenoid Key Release Unit Double Cylinder Housed

