



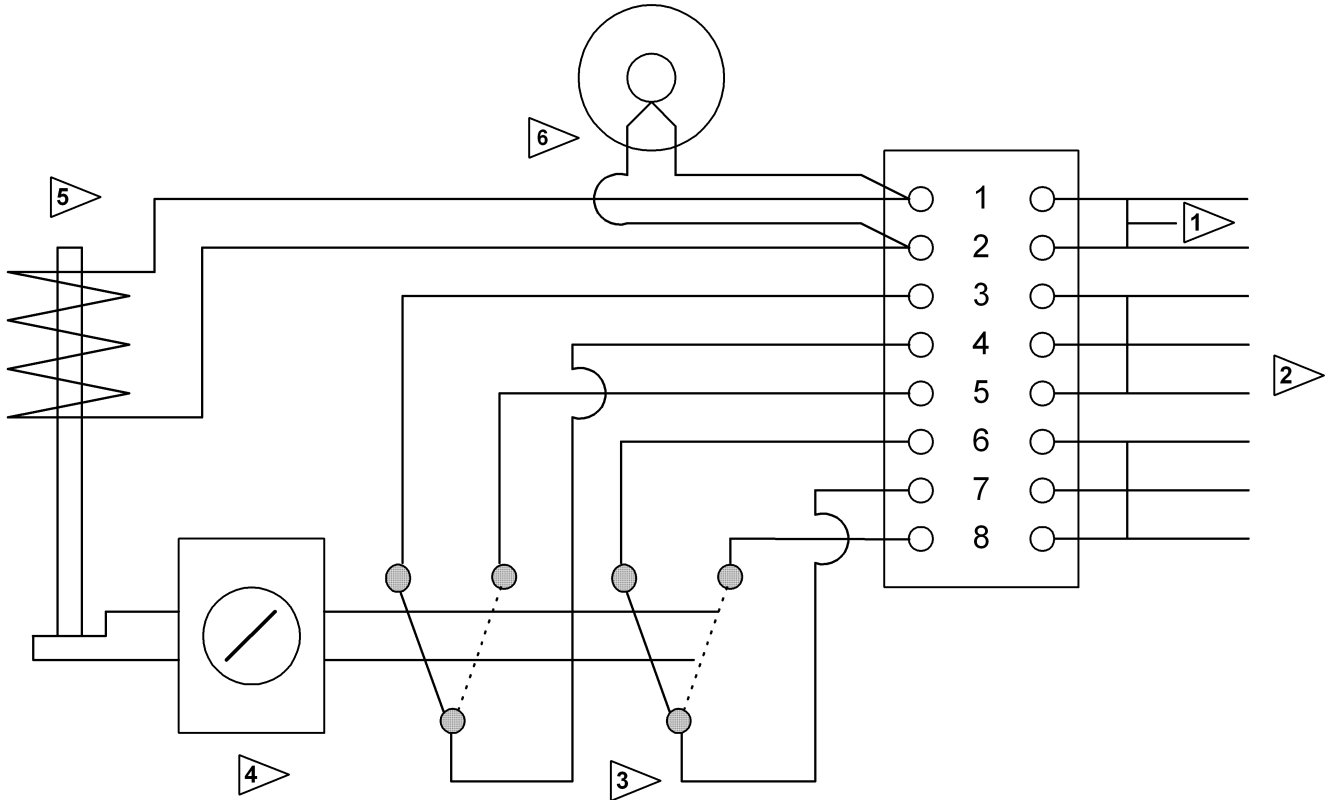
Kirk Key Interlock Company

9048 Meridian Circle NW, North Canton, OH 44720

Phone: 234.209.9301 • Fax: 330.497.4400 • Toll Free: 800.438.2442

Website: www.kirkkey.com Email: sales@kirkkey.com

**SKRU with Signal Lamp
156-617**



NOTES:

- 1) Circuit A - Input
- 2) Customer to wire this side only.
- 3) Double-pole, double-throw (DP/DT) auxiliary switch. Circuits 3-4, 6-7 are closed and circuits 4-5, 7-8 are open when the key is trapped in the interlock.
- 4) KIRK® key interlock with key normally trapped in lock. Key removable when solenoid is energized.
- 5) Solenoid (normally de-energized).
- 6) Signal lamp indicates when solenoid is energized.