



[www.kirkkey.com](http://www.kirkkey.com)

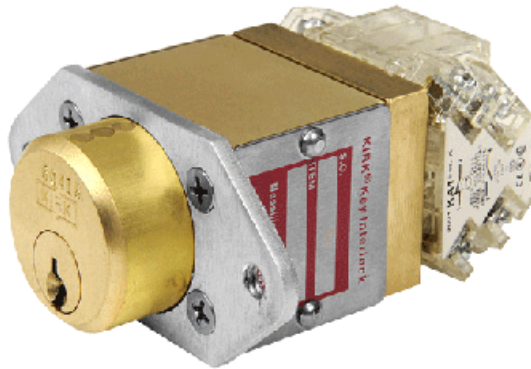
## Kirk Key Interlock Company

211 Wetmore Ave. S.E., Massillon, OH 44646

Phone: 330.833.8223 • Fax: 330.833.1528 • Toll Free: 800.438.2442

Email: [sales@kirkkey.com](mailto:sales@kirkkey.com)

## Type TPS - Sub-Panel Mounted Switch



The Type TPS interlock is a key actuated switch utilizing two tandem mounted Square D Class 9001 KA1 contact blocks and is designed for back panel mounting (sub panel). The TPS can be installed so the lock cylinder will protrude 5/8" or flush mounted (by use of spacers).

The contact blocks are UL listed. The TPS has 2 N.O. & 2 N.C. contacts. Additional contacts are available, see options below.

The switch rating is:

- 120VAC - 60A make / 6A break / 10A continuous
- 240VAC - 30A make / 3A break / 10A continuous
- 125VDC - 0.55A make & break / 2.5A continuous

### OPTIONS

- Contacts - 4 N.O. & 4 N.C. (Type TPSS). If TPSS is ordered, a second set of contact blocks will be stacked on top of the first set of contact blocks.
- Stamp Key Interchange - specify an alphanumeric code to be stamped on the cylinder face and the key (e.g. A1, A2, B1, etc. - up to 5 characters). See SD Series Data Sheet for Keys (3.4) and Terminology (4.1) for details.
- Multi-Cylinder - up to 2 cylinders available (M2TPS). Note: The 2-cylinder TPS is available with both keys removable at the same time or 1 key in and 1 key out. Please specify at time of order. See SD Series Ordering Guide.
- Dust Covers - see SD Series Data Sheet for Dust Covers (3.1) for details.
- Mounting Bolts - see SD Series Data Sheet for Mounting Bolts (3.2) for details.
- Spacers – stainless steel spacers for flush mounting. Spacers are 1/2" long (12.7mm) x 5/8" (15.875mm) diameter.

# SD SERIES - SPECIFICATION DATA SHEET 2.1



www.kirkkey.com

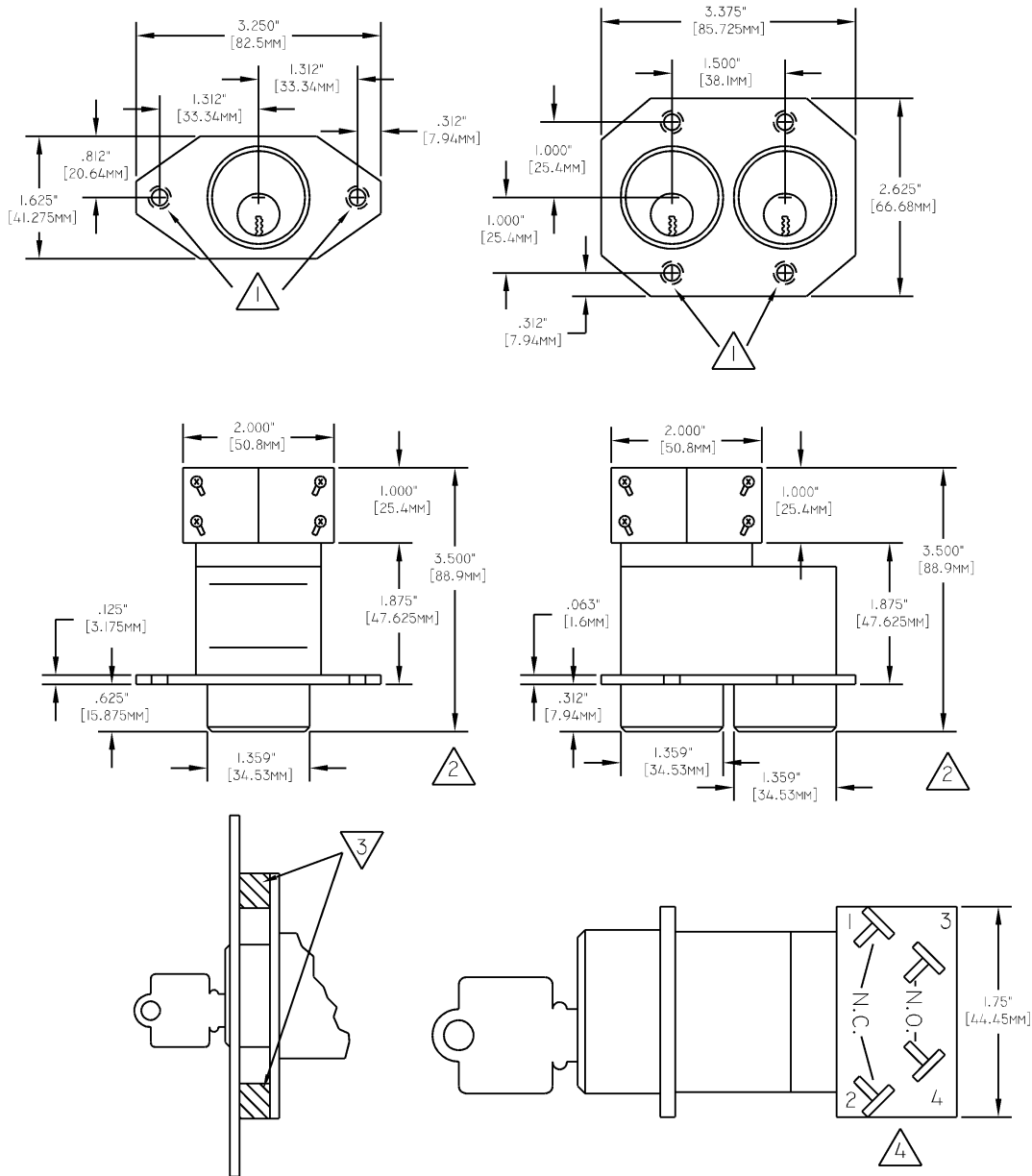
**Kirk Key Interlock Company**

211 Wetmore Ave. S.E., Massillon, OH 44646

Phone: 330.833.8223 • Fax: 330.833.1528 • Toll Free: 800.438.2442

Email: sales@kirkkey.com

## Type TPS - Sub-Panel Mounted Switch



**NOTES:**

- 1) 1/4"-20 tapped mounting holes.
- 2) Length of 3.5" (88.9mm) applies to Type TPS. Type TPSS is 4.5" (114.3mm) long.
- 3) Optional spacers (for flush mounting).
- 4) Contact positions shown with key trapped. When the key is turned and released, the contacts will change state.