

SD SERIES - SPECIFICATION DATA SHEET 1.9



www.kirkkey.com

Kirk Key Interlock Company

211 Wetmore Ave. S.E., Massillon, OH 44646

Phone: 330.833.8223 • Fax: 330.833.1528 • Toll Free: 800.438.2442

Email: sales@kirkkey.com

Type U - End Mounted



The Type U interlock is designed for applications where space is limited. It can be fastened through the lock body with 3/8" bolts or panel mounted with 10-32 bolts from the bottom of the lock body.

The interlock housing is made from brass. The locking bolt is made of 5/8" diameter stainless steel. The throw, or travel, of the locking bolt is 3/4". Locking bolt movement is completely controlled by the rotation of the key.

OPTIONS

- Locking Bolt Length - when ordering, specify the length of the locking bolt in the withdrawn position. Standard lengths are 1/4", 3/8", 1/2", 3/4", 1", 2", and 3". Non-standard lengths are also available. (1" Lock Bolt shown on drawing)
- Key Removable - the key is removable when the locking bolt is either in the extended "E" or withdrawn "W" position. Please choose "E" or "W" when ordering an interlock. Key removable extended is the most common because the locking bolt is typically extended to block/engage something.
- Stamp Key Interchange - specify an alphanumeric code to be stamped on the cylinder face and the key (e.g. A1, A2, B1, etc. - up to 5 characters). See SD Series Data Sheet for Keys (3.4) and Terminology (4.1) for details.
- Dust Covers - see SD Series Data Sheet for Dust Covers (3.1) for details.
- Mounting Bolts - see SD Series Data Sheet for Mounting Bolts (3.2) for details.
- "Opposite Hand" - see SD Series Data Sheet for Terminology (4.1) for details.

SD SERIES - SPECIFICATION DATA SHEET 1.9



www.kirkkey.com

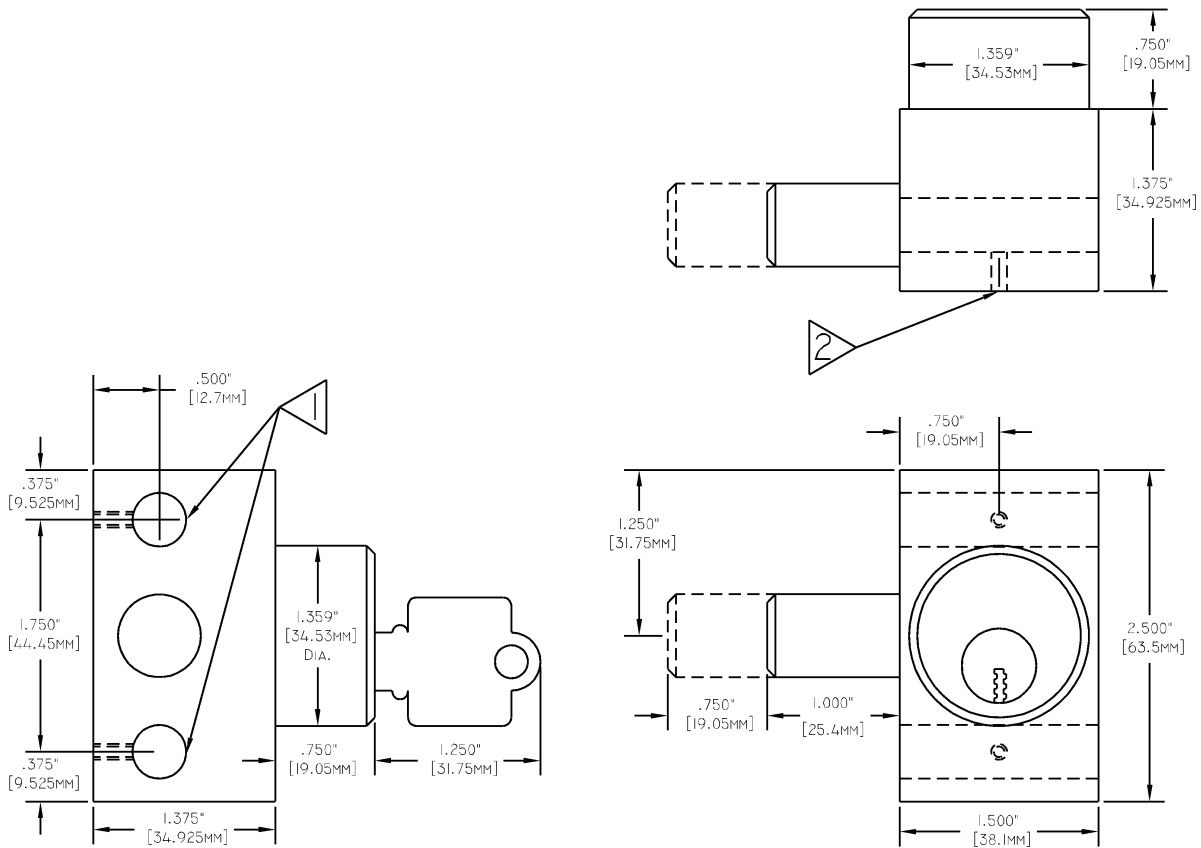
Kirk Key Interlock Company

211 Wetmore Ave. S.E., Massillon, OH 44646

Phone: 330.833.8223 • Fax: 330.833.1528 • Toll Free: 800.438.2442

Email: sales@kirkkey.com

Type U - End Mounted



NOTES:

- 1) 0.4062" (10.32mm) holes for mounting bolts.
- 2) 10-32 tapped holes (2) places.