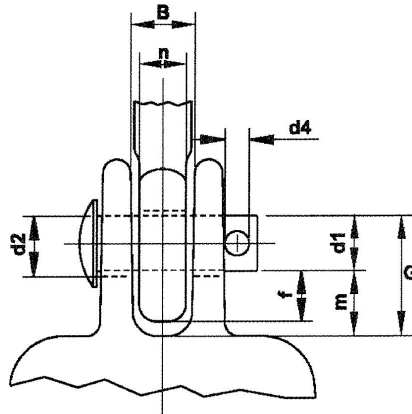


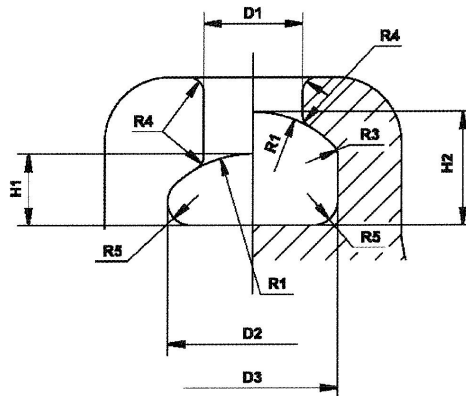
REFERENCES	Numéro de catalogue / Catalog number	52-3(E80Z / 146)	
	IEC 60305	U80BL	
	ANSI C29.2	52-3	
Leakage Distance		mm	320
Mechanical Failing Load		kN	80
Mechanical Impact Strength		N.m	17
Low Frequency Withstand Voltage	Wet	kV	45
Impulse Withstand Voltage		kV	100
Low Frequency Flashover Voltage	Dry	kV	80
	Wet	kV	50
Low Frequency Puncture Voltage		kV	130
Radio Influence Voltage	Low Frequency test Voltage	kV	10
	Max RIV	µV	50

ITEM	QTY	DESCRIPTION	MATERIAL
1	1	Cap	Spheroidal cast Iron
2	1	Split Cotter Pin	Stainless Steel
3	1	Cement	Aluminous Cement
4	1	Glass Shell	Toughened Glass TM Saint Gobain
5	1	Pin	Forged Steel

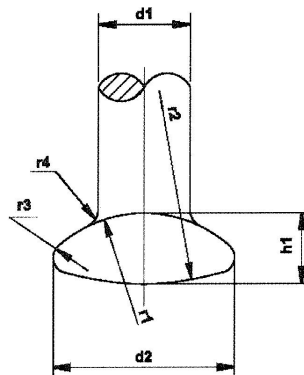
ISOLATEUR D'ALIGNEMENT EN VERRE SUSPENSION GLASS INSULATOR



STANDARD	CLASS	d1	d2	d3	n	B	m
ANSI C29-2	E	15.9+/-0.4	17.5+/-0.8	22.2+/-1.6	12.7+1.6/-0	17.5 MIN	17.5 MIN



STANDARD	CLASS	d1	d2	d3	H1	H2	R1	R2	R3	R4
ANSI C29-2	B	20+/-0.8	34.5+/-1.2	34.5+/-1.2	13.4+/-0.7	21.6 MIN	23.4	3.2	3.2	5



STANDARD	CLASS	d1	d2	H1	R1	R2	R3	R4
ANSI C29-2	B	17.3+/-1.6	32.5+/-0.9	13.4+/-1.2	23	50	3	3+/-1

QUINCAILLERIE ISOLATEUR D' ALIGNEMENT / SUSPENSION INSULATOR HARDWARE