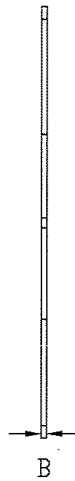
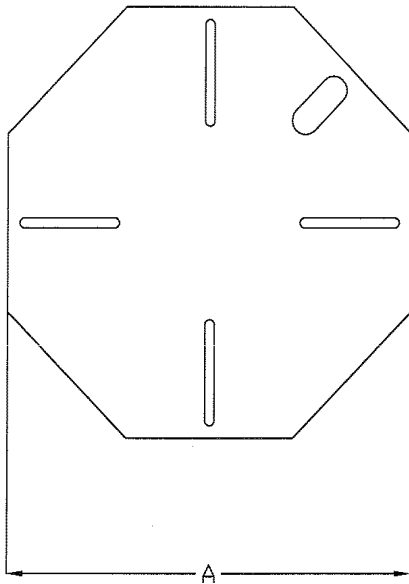


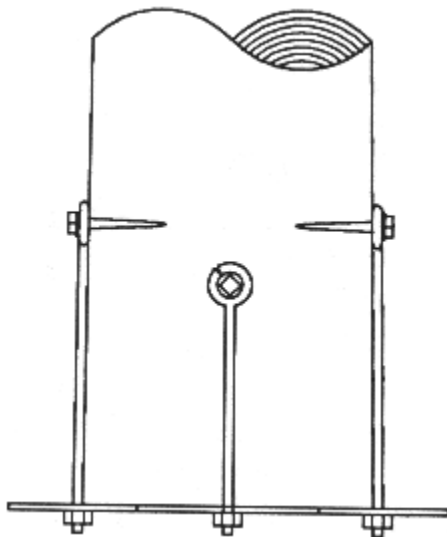


Quincaillerie / Hardware

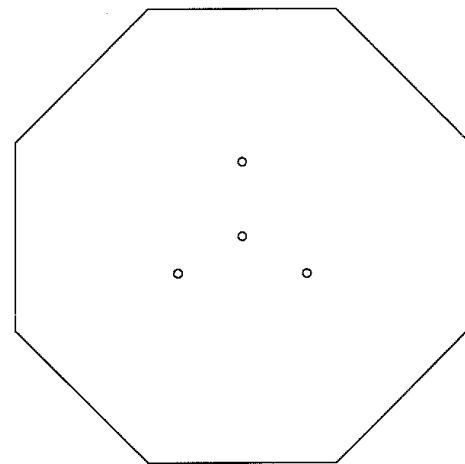
Fabriqué au Québec



No. PTS	PDAS762KIT	PDAS900KIT	PDAS1200KIT
Dimension A	30"	36"	48"
Dimension B	10 mm	10 mm	10 mm
Poid de l'ensemble / Kit weight	76 lbs	114 lbs	198 lbs



4x boulons à oeil / 4x eye bolt
4x tire-fond / 4x lag bolt



PDAS600SP
600mm x 10mm, 4 trous 15mm

PDAS750SP
750mm x 10mm, 4 trous 15mm

Matériel: Acier Galvanisé
Material: Galvanized steel

PLAQUE D'APPUI AU SOL / POLE ANCHOR PLATE