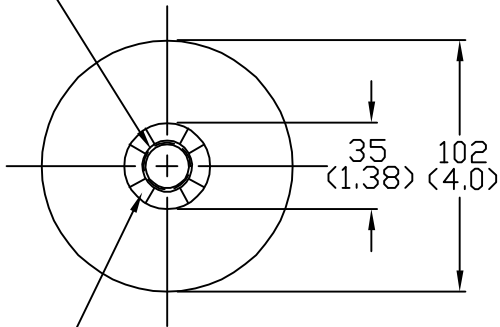
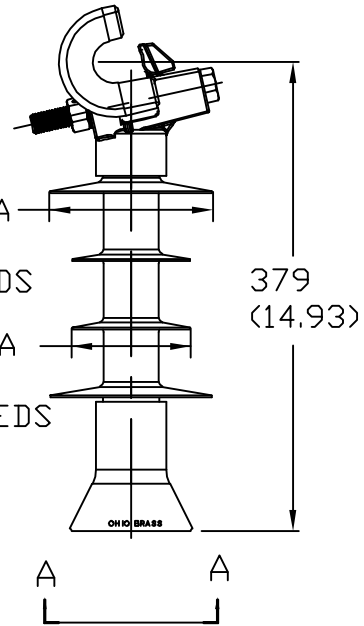


3/4-10 UFS-2B TAPPED HOLE  
PER ANSI C29.7




CAST IN SERRATED LOCKING  
PAD PER ANSI C29.7

VIEW A-A  
2X SCALE



DRY ARCING DISTANCE \_ \_ \_ \_ \_ 244 MM (9.6 IN)  
 LEAKAGE DISTANCE \_ \_ \_ \_ \_ 439 MM (17.3 IN)  
 60 Hz DRY FLASHOVER \_ \_ \_ \_ \_ 110 kV  
 60 Hz WET FLASHOVER \_ \_ \_ \_ \_ 75 kV  
 IMPULSE POS. CRITICAL FLASHOVER \_ \_ \_ 185 kV  
 IMPULSE POS. WITHSTAND \_ \_ \_ \_ \_ 170 kV  
 SCL \_ \_ \_ \_ \_ 12.5 kN (2800 LB.)  
 RCL \_ \_ \_ \_ \_ 5.5 kN (1235 LB.)  
 NET WEIGHT \_ \_ \_ \_ \_ 3.3 KG (7.3 LB.)

 <b>HUBBELL® POWER SYSTEMS</b>		TITLE		
		VERI LITE 25 KV LINE POST		
CONFIDENTIAL: THIS DRAWING AND ITS CONTENTS ARE CONFIDENTIAL AND THE EXCLUSIVE PROPERTY OF HUBBELL POWER SYSTEMS. NO PUBLICATION, DISTRIBUTION OR COPIES MAY BE MADE WITHOUT THE WRITTEN CONSENT OF HUBBELL POWER SYSTEMS. HUBBELL POWER SYSTEMS UNPUBLISHED ALL RIGHTS RESERVED UNDER THE COPYRIGHT LAWS.	SIZE S	DWG NO. --	CAT / PART / ASSY NO. 80S025-0K09	REV 0
REV DATE 06/13/13	DO NOT SCALE THIS DRAWING	DRN BY JVR	DATE 06/13/13	SHEET 1 OF 1