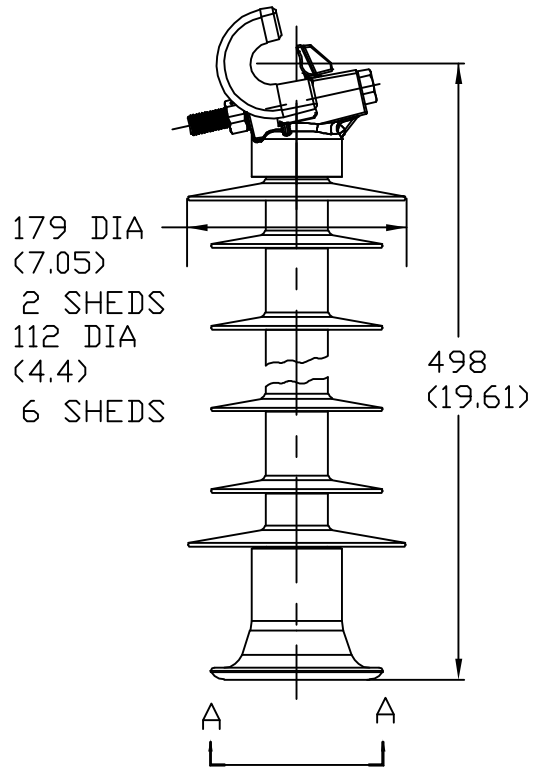



VIEW A-A
2X SCALE



DRY ARCING DISTANCE	___	___	___	___	___	390 MM (14.4 IN)
LEAKAGE DISTANCE	___	___	___	___	___	872 MM (34.3 IN)
60 Hz DRY FLASHOVER	___	___	___	___	___	170 kV
60 Hz WET FLASHOVER	___	___	___	___	___	125 kV
IMPULSE POS. CRITICAL FLASHOVER	___	___	___	___	___	260 kV
IMPULSE POS. WITHSTAND	___	___	___	___	___	235 kV
SCL	___	___	___	___	___	12.5 kN (2800 LB.)
RCL	___	___	___	___	___	5.5 kN (1235 LB.)
NET WEIGHT	___	___	___	___	___	6.1 KG (13.5 LB.)

<p>CONFIDENTIAL: THIS DRAWING AND ITS CONTENTS ARE CONFIDENTIAL AND THE EXCLUSIVE PROPERTY OF HUBBELL POWER SYSTEMS. NO PUBLICATION, DISTRIBUTION OR COPIES MAY BE MADE WITHOUT THE WRITTEN CONSENT OF HUBBELL POWER SYSTEMS. HUBBELL POWER SYSTEMS UNPUBLISHED ALL RIGHTS RESERVED UNDER THE COPYRIGHT LAWS.</p>			<h1>HUBBELL® POWER SYSTEMS</h1>	
	<p>TITLE</p> <h2>VERI LITE</h2> <h3>46 KV LINE POST</h3>			
REV DATE	SIZE	DWG NO.	CAT / PART / ASSY NO.	REV
06/13/13	S	--	80S046-0K09	0
DO NOT SCALE THIS DRAWING		DRN BY JVR	DATE 06/13/13	SHEET 1 OF 1