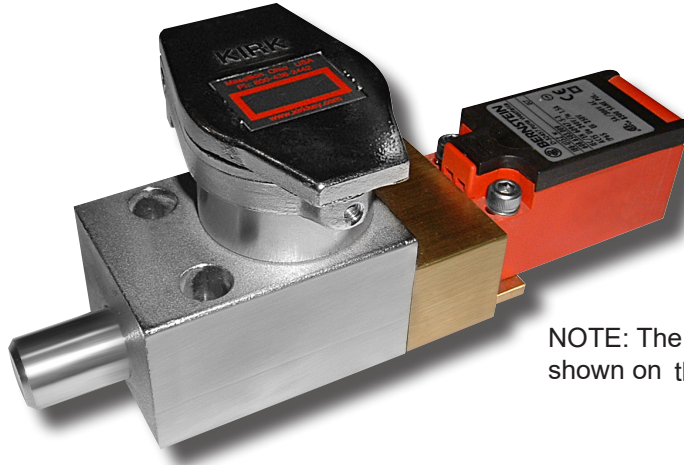




# SPECIFICATION DATA SHEET

## TYPE THERMOPLASTIC BODIED SWITCH - AUXILIARY SWITCH

WWW.KIRKKEY.COM



NOTE: The Thermoplastic Bodied Switch is shown on the HD Series Type F Interlock

Thermoplastic bodied electrical contacts offer the best protection against water ingress. Available in 2 N/O 1 N/C or 4 N/O 2 N/C contacts. The Thermoplastic Bodies auxiliary switch can be mounted on both the SD and HD Series of the following interlocks: Type F, Type B, Type T, Type FN, Type D, Type DM.

The contacts can be used to provide remote indication of the lock bolt position or to switch control circuitry.

### Contact Status for Type F, B, T, FN & D:

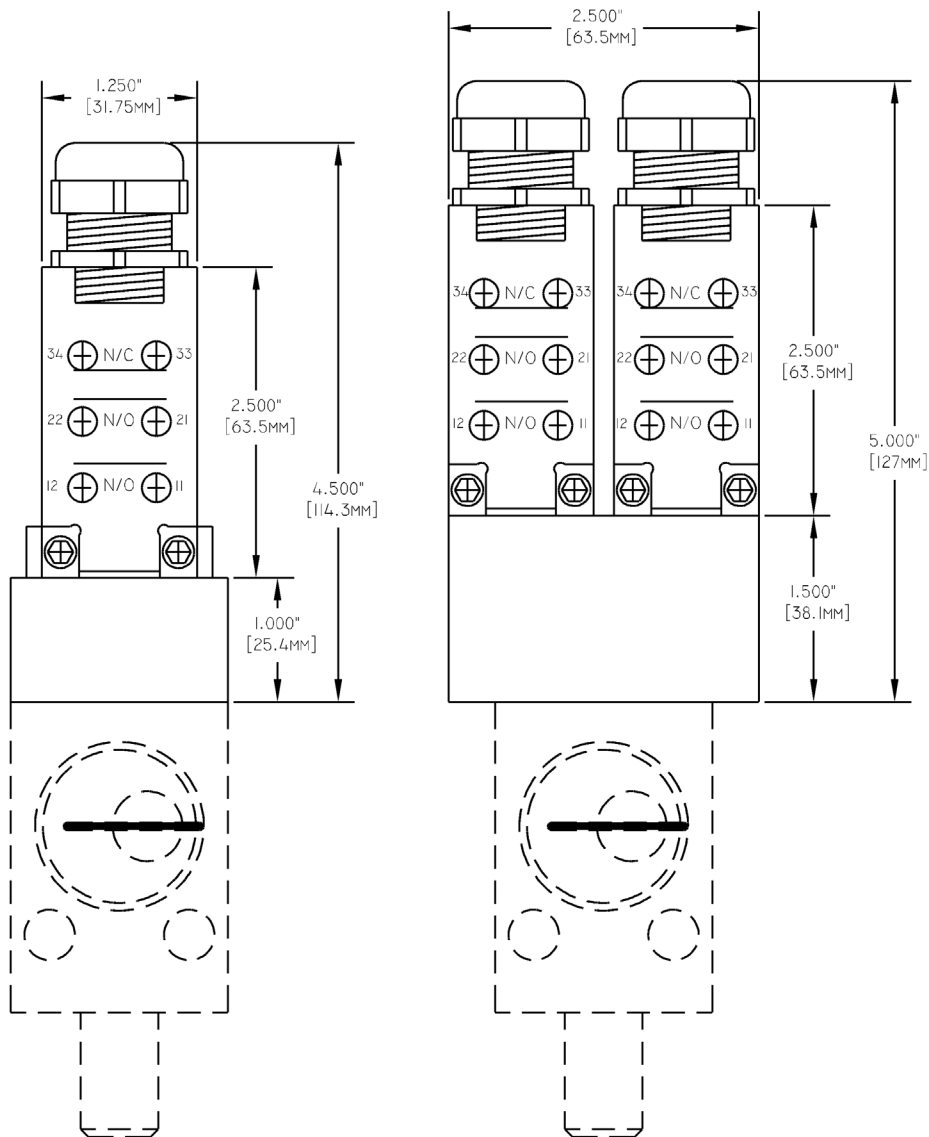
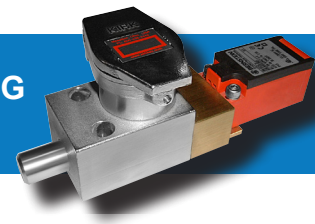
The contacts respond directly to the movement of the locking bolt when the key is turned. Option A comes with 2N/O & 1 N/C 5 amp contacts (locking bolt withdrawn). Option B comes with 4 N/O & 2 N/C 5 amp contacts (locking bolt withdrawn). The contacts change state when the key is turned and the locking bolt is extended.

### Contact Status for Type DM:

The contacts respond to the position of the DM latch bolt. When the door is locked, two sets of contacts are closed and one set is open. When the door is unlocked, the contacts switch state (two sets open, one set closed). NOTE: Option B is not available on the Type DM.

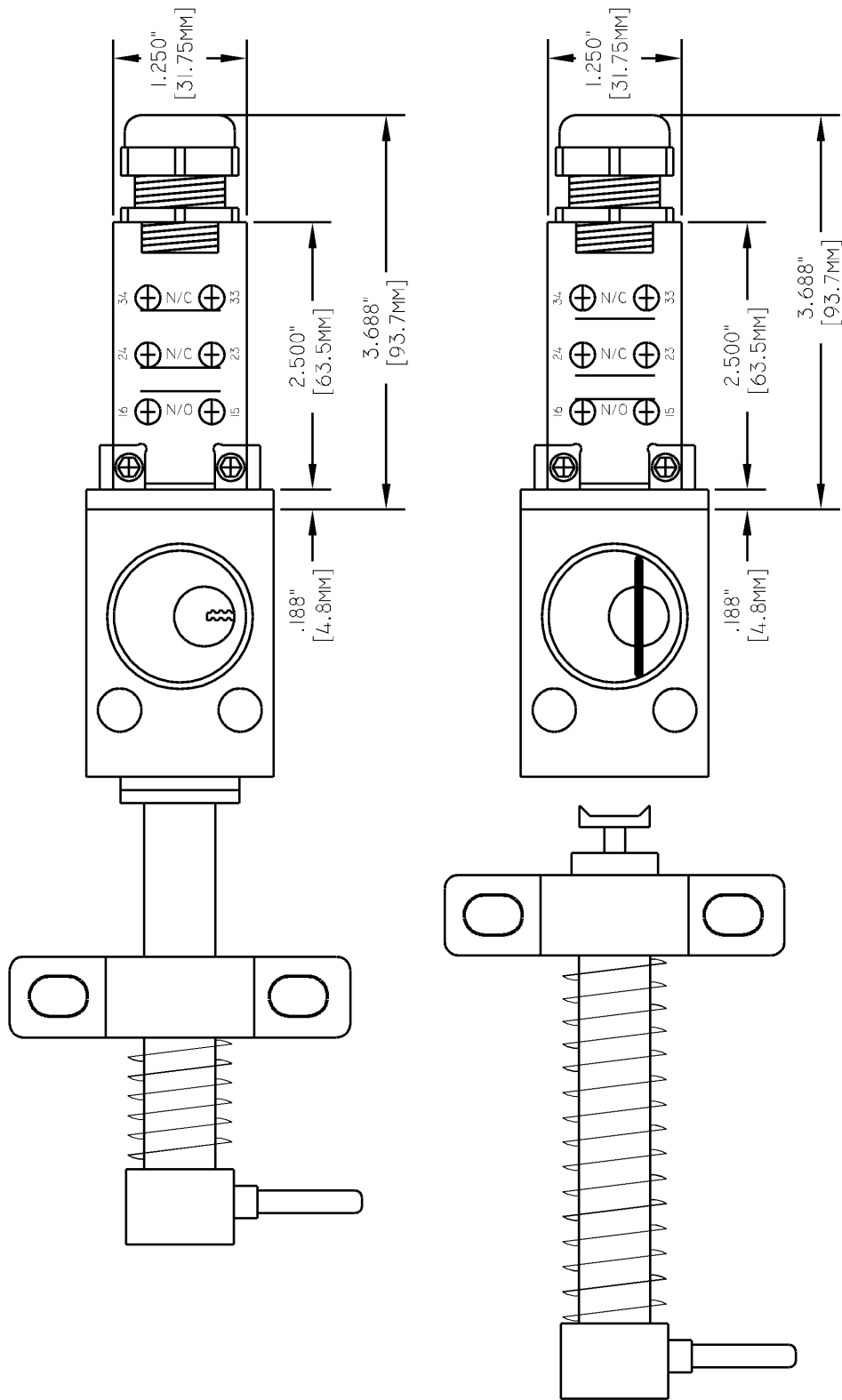
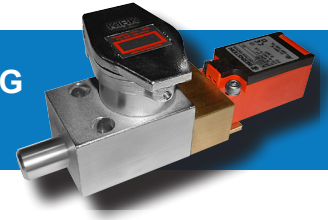
- **Standards:** VDE 0660 T200, DIN EN 60947-5-1, IEC 60947-5-1.
- **Utilization Category:** AC-15, Ue/Ie 240V/1,5A.
- **Approvals:** cCSAus B300 (same polarity).
- **Enclosure & Cover:** Thermoplastic, glass fibre reinforced (UL 94-V0).
- **Hinged Snap Lid:** For quick and easy access (screwdriver release). Lid hinges open to 135 degrees.
- **Forced Disconnection of NC Contacts:** To IEC/EN 60947-5-1, Annex K.
- **Temperature Range:** -30 degrees C (ice free) to +80 degrees C.
- **Mechanical Lifecycle:** 200,000 operations.
- **Screw Terminals:** Self-lifting clamps for easy wiring, Numbered in accordance with DIN EN 50013.
- **Ingress Protection:** IP65 acc. to EN 60529.
- **Rated Insulation Voltage:** 250V AC.
- **Rated Operational Voltage:** 240V.
- **Continuous Thermal Current:** 5 Amp.
- **Cable Entrance:** M20 x 1.5 thread. The switch is supplied with .20 -.35" cable gland installed. An M20 x 1/2" FIP adapter is supplied with each switch for use with 1/2" conduit.
- **EU Conformity:** CE Marked
- **Weight:** The A Option adds 9.6oz / 272g and the B Options adds 16oz / 453g to the weight of an interlock.

# TYPE THERMOPLASTIC BODIED SWITCH SWITCH DRAWING - FOR TYPE F, B, T, FN, & D INTERLOCKS -



NOTES:  
Option A is shown on the left, Option B is shown on the right.

**TYPE THERMOPLASTIC BODIED SWITCH SWITCH DRAWING  
- FOR TYPE DM INTERLOCKS -**



## TYPE THERMOPLASTIC BODIED SWITCH ORDERING GUIDE

To order the Thermoplastic Bodied Switch option, see the ordering guide for the specific type of interlock you are ordering and indicate the letter “A” (2 N/O 1N/C) or “B” (4 N/O 2N/C) in the appropriate column of the interlock part number

Auxiliary switches cannot be field installed on existing KIRK® interlocks.