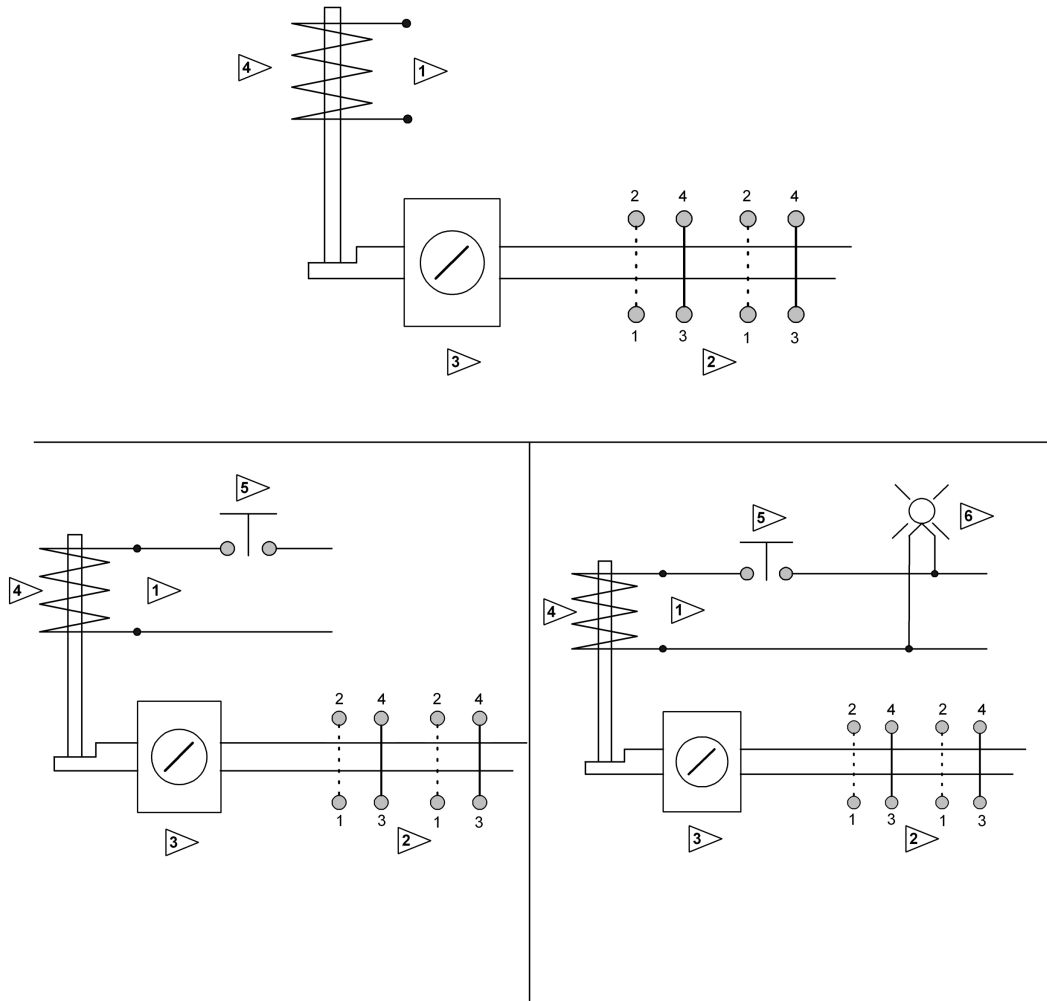




# SPECIFICATION DATA SHEET

## SKPM WIRING DIAGRAM

WWW.KIRKKEY.COM



### NOTES:

- 1) Solenoid contact terminals.
- 2) Auxiliary contacts: two Square D Class 9001 KA1 contact blocks. Contacts 1-2 normally open and contacts 3-4 normally closed. The contacts change state when, after the solenoid is energized, the key is turned and removed.
- 3) KIRK® key interlock - key is normally retained in lock. Key is removable when solenoid is energized.
- 4) Solenoid (normally de-energized).
- 5) Optional pushbutton - close to energize solenoid.
- 6) Optional signal lamp indicates when solenoid is energized.
- 7) Do not wire the solenoid circuit through the SKPM aux contacts.