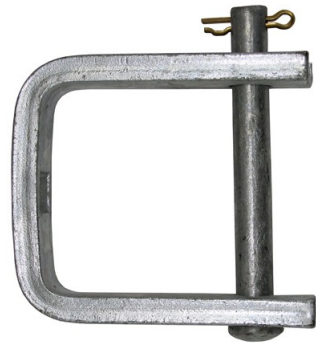
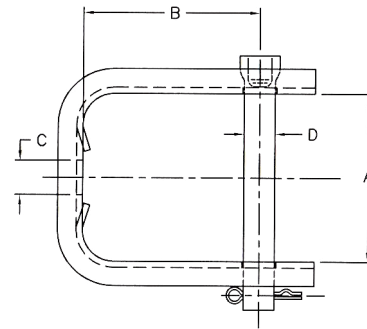




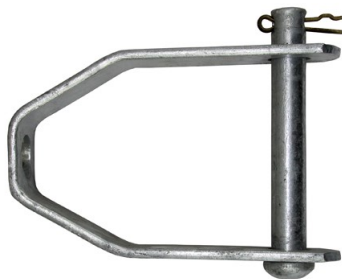
Quincaillerie / Hardware



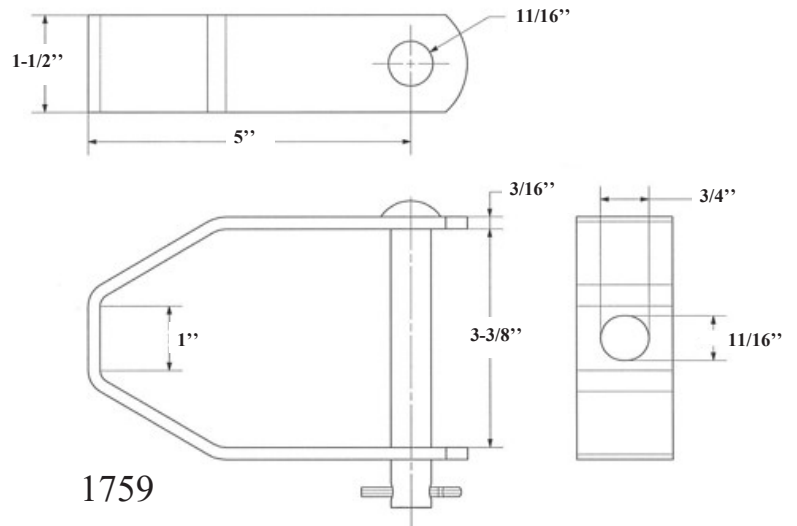
561



561



1759



1759

Numéro de catalogue. Catalog number.	Dimension de l'acier Steel Size	Dimensions po. in.				Isolateur Insulator	Force de Rupture Min. (lbs) Min. Breaking Strength (lbs)	Poids (lbs) Weight (lbs)
		A	B	C	D			
561	1-1/4 x 1/2 x 1/8 Channel	3 3/8	3 9/16	11/16	5/8	53-2 & 52-3	2,500 / 3,000	2
562	1-1/2 x 1/4 Flat	2 5/16	2	11/16	3/8	53-1	2,000	1.4
1759	1-1/2 x 3/16 flat					53-3		1.44

**Matériel:** Acier Galvanisé  
**Material:** Galvanized steel

## MANILLE ISOLÉE / INSULATED CLEVIS