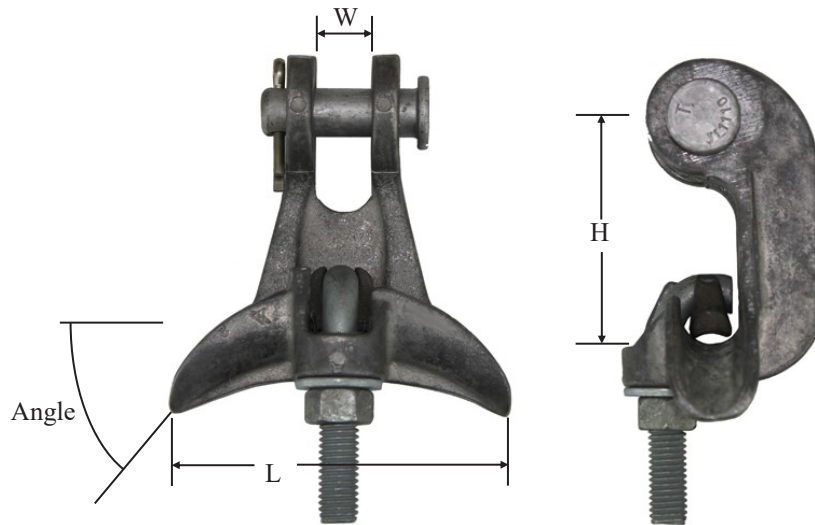


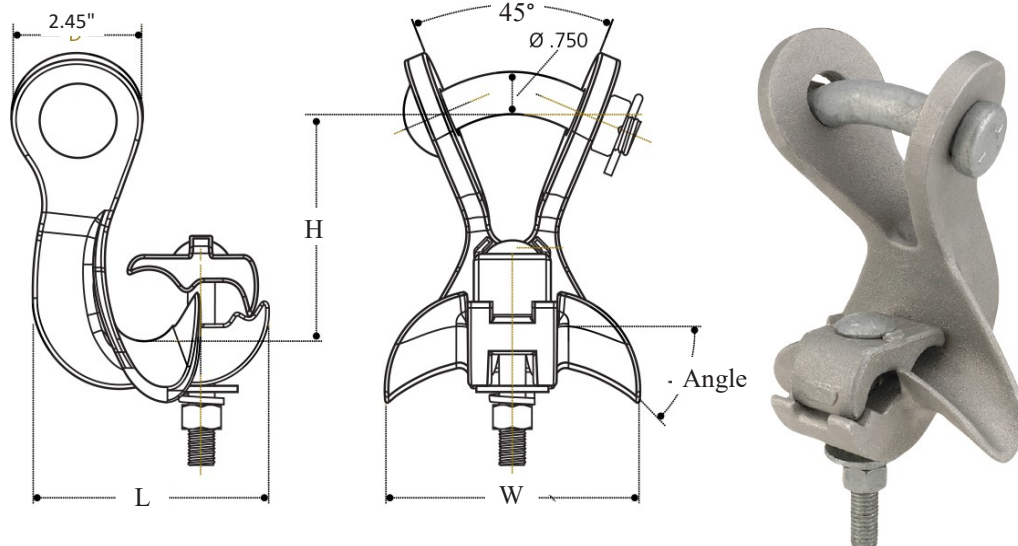


Quincaillerie / Hardware

AAC301
AAC10490N



YAAC125



Numéro de catalogue. Catalog number.	Gamme des conducteurs Conductor clamping range		Dimensions Pouces (mm) Inches (mm)			Angle en Degrée Angle Degree	Force Ultime Ultimate body strength	Poids (lbs) Weight (lbs)
	Pouces - Inches	mm	L	W	H			
AAC301	.198 - .732	5.03 - 18.59	4-1/4 (107.95)	11/16 (17.46)	2-7/8 (73.02)	45	7,000 lbs	1.25
AAC10490N	.50 - 1.10	12.70 - 27.94	5-1/4 (133.35)	11/16 (17.46)	4-1/8 (104.77)	60	12,000 lbs	2.2
YAAC125	.50 - 1.25	12.7 - 31.75	4.50 (114.3)	4.83 (122.68)	4.27 (108.46)	45	12,000 lbs	2.0

Ancien PCA75 et PCA110

Matériel: Aluminium
Material: Aluminum

PINCE DE COIN / ANGLE SUSPENSION CLAMP